

HERCULES
USERS

Instruction and **IE**
recommendation booklet



HERCULES CONDENSING ABT 32 3 ERP



Dear Customer,

Our compliments for having chosen a top-quality Immergas product, able to assure well-being and safety for a long period of time. As an Immergas customer you can also count on a qualified after-sales service, prepared and updated to guarantee constant efficiency of your boiler. Read the following pages carefully: you will be able to draw useful suggestions regarding the correct use of the appliance, the respect of which, will confirm your satisfaction for the Immergas product. For assistance and scheduled maintenance contact Authorised After-Sales centres: they have original spare parts and are specifically trained directly by the manufacturer.

General recommendations

All Immergas products are protected with suitable transport packaging.

The material must be stored in dry environments protected against bad weather.

The instruction book is an integral and essential part of the product and must be consigned to the new user also in the case of transfer or succession of ownership.

It must be stored with care and consulted carefully, as all of the warnings provide important safety indications for installation, use and maintenance stages.

This instructions manual provides technical information for installing Immergas boilers. As for the other issues related to boiler installation (e.g. safety in the work site, environment protection, injury prevention), it is necessary to comply with the provisions specified in the regulations in force and principles of good practice.

In compliance with legislation in force, the systems must be designed by qualified professionals, within the dimensional limits established by the Law. Installation and maintenance must be performed in compliance with the regulations in force, according to the manufacturer's instructions and by professionally qualified staff, intending staff with specific technical skills in the plant sector, as envisioned by the Law.

Improper installation or assembly of the Immergas appliance and/or components, accessories, kit and devices can cause unexpected problems to people, animals and objects. Read the instructions provided with the product carefully to ensure a proper installation.

Maintenance must be carried out by skilled technical staff. The Authorised After-sales Service represents a guarantee of qualifications and professionalism.

The appliance must only be destined for the use for which it has been expressly declared. Any other use will be considered improper and therefore potentially dangerous.

If errors occur during installation, operation and maintenance, due to non compliance with technical laws in force, standards or instructions contained in this book (or however supplied by the manufacturer), the manufacturer is excluded from any contractual and extra-contractual liability for any damages and the appliance warranty is invalidated.

The company **IMMERGAS S.p.A.**, with registered office in via Cisa Ligure 95 42041 Brescello (RE), declares that the design, manufacturing and after-sales assistance processes comply with the requirements of standard **UNI EN ISO 9001:2015**.

For further details on the product CE marking, request a copy of the Declaration of Conformity from the manufacturer, specifying the appliance model and the language of the country.

The manufacturer declines all liability due to printing or transcription errors, reserving the right to make any modifications to its technical and commercial documents without forewarning.

INDEX

INSTALLER	page	USER	page	MAINTENANCE TECHNICIAN	page
1		2		3	
1.1	Boiler installation 5	2.1	Use and maintenance instructions 23	3.1	Boiler commissioning (initial check) 30
1.2	Installation recommendations 5	2.2	Cleaning and maintenance 23	3.1	Plumbing diagram 30
1.3	Main dimensions 6	2.3	General warnings 23	3.2	Wiring diagram 31
1.4	Gas connection 7	2.4	Control panel 23	3.3	Troubleshooting 32
1.5	Hydraulic connection 7	2.5	Description of functioning states 24	3.4	Converting the boiler to other types of gas 32
1.6	Electrical connection 7	2.6	Using the boiler 24	3.5	Calibration of number of fan revs 32
1.7	Remote controls and room chrono-thermostats (Optional) 8	2.7	Troubleshooting 26	3.6	Adjustment of the air-gas ratio 32
1.8	External temperature probe (Optional) 9	2.8	Boiler shutdown 27	3.7	Checks following conversion to another type of gas 32
1.9	Immergas flue systems 10	2.9	Restore central heating system pressure 27	3.8	Programming the P.C.B. 34
1.10	Tables of resistance factors and equivalent lengths 10	2.10	System draining 27	3.9	Zones management board 36
1.11	Installation of boiler type B with open chamber and fan assisted (optional) 12	2.11	Cylinder draining 27	3.10	"Chimney sweep" function 36
1.12	Concentric horizontal kit installation 13	2.12	Antifreeze protection 27	3.11	Pump anti-block function 36
1.13	Concentric vertical kit installation 14	2.13	Case cleaning 28	3.12	three-way anti-block function 36
1.14	Separator kit installation 15	2.14	Decommissioning 28	3.13	Radiators antifreeze function 36
1.15	Adaptor C9 kit installation 16		Parameters, information and zones menu 28	3.14	P.C.B. periodical self-check 36
1.16	Ducting of flues or technical slots 17			3.15	Automatic vent function 36
1.17	Configuration type B, open chamber and fan assisted for indoors 17			3.16	Solar panels coupling function 37
1.18	Flue exhaust to flue/chimney 17			3.17	Yearly appliance check and maintenance 37
1.19	Flues, chimneys, chimney pots and terminals 18			3.18	Casing removal 38
1.20	System filling 18			3.19	Variable heat output 40
1.21	Condensate trap filling 18			3.20	Combustion parameters 40
1.22	Gas system start-up 18			3.21	Technical data 41
1.23	Boiler start up (ignition) 18			3.22	Key for Data nameplate 42
1.24	Circulation pump 19			3.23	Technical parameters for mixed boilers (in compliance with Regulation 813/2013) 43
1.25	Domestic hot water storage tank unit 21			3.24	Product data sheet (in compliance with Regulation 811/2013) 43
1.26	Kits available on request 21			3.25	Parameters for filling in the assembly sheet 44
	Boiler components 22				

1 BOILER INSTALLATION

1.1 INSTALLATION RECOMMENDATIONS.

The Hercules Condensing ABT 32 3 ErP boiler has been designed for wall mounted installation only; for heating and production of domestic hot water for household use and similar purposes.

In the event the unit is installed in damp places, one must provide an insulation system underneath it, to insulate it from the ground.

The place of installation of the appliance and relative Immergas accessories must have suitable features (technical and structural) such to allow (always in safety, efficiency and comfortable conditions):

- installation (according to the provisions of the technical legislation and technical regulations);
- maintenance operations (including scheduled, periodic, routine and special maintenance);
- removal (to outdoors in the place for loading and transporting the appliances and components) as well as their eventual replacement with appliances and/or equivalent components.

By varying the type of installation the classification of the boiler also varies, precisely:

- **Type B₂₃** or **B_{53boiler}** if installed using the relevant terminal for air intake directly from the room in which the boiler has been installed.
- **Type C boiler** if installed using concentric pipes or other types of pipes envisioned for sealed chamber boilers for air intake and expulsion of flue gas.

Note: appliance classification is provided in the depictions of the various installation solutions shown on the following pages.

Only professionally enabled companies are authorised to install Immergas gas appliances. Installation must be carried out according to regulation standards, current legislation and in compliance with local technical regulations and the required technical procedures.

Attention: the manufacturer declines all liability for damages caused by boilers removed from other systems or for any non-conformities of such equipment.

Before installing the appliance, ensure that it is delivered in perfect condition; if in doubt, contact the supplier immediately. Packing materials (staples, nails, plastic bags, polystyrene foam, etc.) constitute a hazard and must be kept out of the reach of children. If the appliance is installed inside or between cabinets, ensure sufficient space for normal servicing; therefore it is advisable to leave clearance of at least 30 cm on the right of the boiler in order to open the lateral hatch and a space of 3 cm between the remaining sides of the boiler and the sides of the cabinet. Leave adequate space above the boiler for possible water and flue connections. Keep all flammable objects away from the appliance (paper, rags, plastic, polystyrene, etc.).

In the event of malfunctions, faults or incorrect operation, turn the appliance off and contact an authorised company (e.g. the Authorised Technical Assistance centre, which has specifically trained staff and original spare parts). Do not attempt to modify or repair the appliance alone. Failure to comply with the above implies personal responsibility and invalidates the warranty.

- Installation regulations:
 - Installation of gas appliances, flue exhaust pipes and combustion air intake pipes is forbidden in places with a fire risk (for example: garages, closed parking stalls), and in potentially dangerous places.
 - Installation is forbidden in places/rooms that constitute public areas of apartment buildings, internal stairways or other escape routes (e.g. floor landings, entrance halls, etc.).
 - Installation is also forbidden in places/rooms that constitute public areas of apartment buildings such as cellars, entrance halls, attics, lofts, etc., unless otherwise provided for by local regulations in force.

Attention: these boilers are used to heat water to below boiling temperature in atmospheric pressure.

They must be connected to a central heating system and domestic hot water circuit suited to their performance and capacity. They must be installed in rooms where the temperature cannot fall below 0°C and must not be exposed to atmospheric agents.

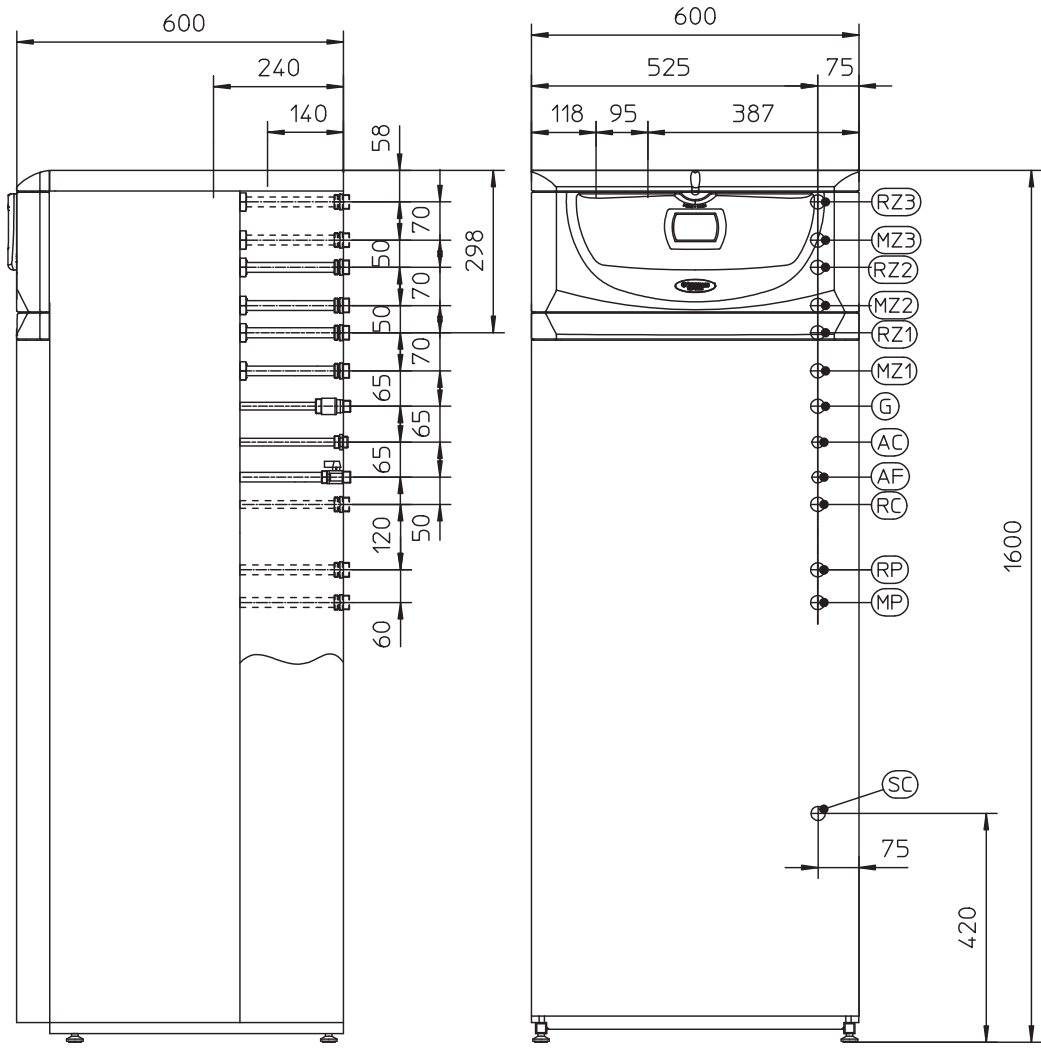
"Anti-legionella" heat treatment of the Immergas storage tank (activated by the specific function present on the predisposed thermoregulatory systems): during this stage, the temperature of the water inside the storage tank exceeds 60°C with a relative risk of burns. Keep this domestic water treatment under control (and inform the users) to prevent unforeseeable damage to people, animals, things. If required install a thermostatic valve on the domestic hot water outlet to prevent scalding.

1.2 MAIN DIMENSIONS.

INSTALLER

USER

MAINTENANCE TECHNICIAN



- Key:
- RZ3 - G 1" mixed zone 3 system return (optional)
 - MZ3 - G 1" mixed zone 3 system flow (optional)
 - RZ2 - G 1 mixed zone 2 system return
 - MZ2 - G 1 mixed zone 2 system flow
 - RZ1 - G 3/4" direct zone 1 system return
 - MZ1 - 3/4" direct zone 1 system flow
 - G - Gas supply G 1/2"
 - AC - DHW output G 3/4"
 - AF - DHW inlet G 3/4"
 - RC - Recirculation G 3/4" (optional)
 - RP - Return to solar panels G 3/4" (optional)
 - MP - Flow from solar panels G 3/4" (optional)
 - SC - Condensate drain (minimum internal diameter Ø 13 mm)

1.3 GAS CONNECTION.

Our boilers are designed to operate with methane gas (G20) and LPG. Supply pipes must be the same as or larger than the boiler fitting. Before connecting the gas line, carefully clean inside all the fuel feed system pipes to remove any residue that could impair boiler efficiency. Also make sure the gas corresponds to that for which the boiler is prepared (see boiler data name plate). If different, the appliance must be converted for operation with the other type of gas (see converting appliance for other gas types). The dynamic gas supply (methane or LPG) pressure must also be checked according to the type used in the boiler, which must comply with the technical standards in force, as insufficient levels can reduce generator output and cause malfunctions. Ensure correct gas cock connection. The gas supply pipe must be suitably dimensioned according to current regulations in order to guarantee correct gas flow rate to the burner even in conditions of maximum generator output and to guarantee appliance efficiency (technical specifications). The coupling system must conform to technical standards in force.

Risk of material damage after using sprays and liquids to search for leaks.

Leak sprays and liquids clog the reference hole PR (Part. 4 Fig. 3-3) of the gas valve, damaging it irreparably.

During installation and maintenance, do not use spray or liquids in the upper area of the gas valve (side referring to the electric connections).

Fuel gas quality. The appliance was designed to operate with combustible gas free of impurities; otherwise it is advisable to fit special filters upstream of the appliance to restore the purity of the fuel.

Storage tanks (in case of supply from LPG depot).

- New LPG storage tanks may contain residual inert gases (nitrogen) that degrade the mixture delivered to the appliance causing functioning anomalies.
- Due to the composition of the LPG mixture, layering of the mixture components may occur during the period of storage in the tanks. This can cause a variation in the heating power of the mixture delivered to the appliance, with subsequent change in its performance.

1.4 HYDRAULIC CONNECTION.

Attention: in order not to void the condensation module warranty, before making the boiler connections, carefully wash the heating system (pipes, radiators, etc.) with special pickling or descaling products to remove any deposits that could compromise correct boiler operation.

A treatment of the heating and water system water is required, in compliance with the technical standards in force, in order to protect the system and the appliance from deposits (e.g. scale), slurry or other hazardous deposits.

Water connections must be made in a rational way using the couplings on the boiler template. The boiler safety valves outlet must be connected to a draining funnel. Otherwise, the manufacturer declines any responsibility in case of flooding if the drain valve cuts in.

Attention: the manufacturer declines all liability in the event of damage caused by the inclusion of automatic filling that is not its own brand.

In order to meet the system requirements established by the technical regulation in force in relation to the pollution of drinking water, we recommend installing the IMMERGAS anti-backflow kit to be used upstream of the cold water inlet connection of the boiler. It is also recommended that the heat transfer fluid (e.g. water + glycol) entered in the primary circuit of the boiler (heating circuit), complies with the local regulations in force.

Attention: to preserve the duration and the efficiency features of the appliance, in the presence of water whose features can lead to the deposit of limescale, installation of the "polyphosphate dispenser" kit is recommended.

Condensate drain. To drain the condensate produced by the appliance, it is necessary to connect to the drainage system by means of acid condensate resistant pipes, with an internal Ø of at least 13 mm. The system connecting the appliance to the drainage system must be carried out in such a way as to prevent freezing of the liquid contained in it. Before appliance ignition, ensure that the condensate can be correctly removed. After first ignition, check that the drain trap is filled with condensate (para. 1.20). Also, comply with national and local regulations on discharging waste waters.


In the event condensate is not discharged into the wastewater drainage system, a condensate neutraliser must be installed to ensure compliance with the parameters established by the legislation in force.

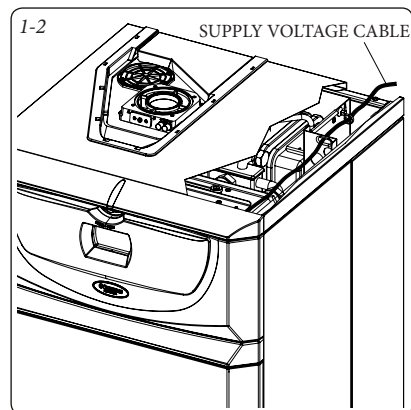
1.5 ELECTRICAL CONNECTION.

The "Hercules Condensing ABT 32 3 ErP" boiler has an IPX5D protection rating for the entire appliance. Electrical safety of the appliance is reached only when it is correctly connected to an efficient earthing system as specified by current safety standards.

Attention: the manufacturer declines any responsibility for damage or physical injury caused by failure to connect the boiler to an efficient earth system or failure to comply with the reference standards.

Also ensure that the electrical installation corresponds to maximum absorbed power specifications as shown on the boiler data nameplate. Boilers are supplied complete with an "X" type power cable without plug.

The power supply cable must be connected to a 230V ±10% / 50Hz mains supply respecting L-N polarity and the earth connection  on this network must also feature a multi-pole circuit breaker of class III overvoltage category. When replacing the power supply cable, contact a qualified firm (e.g. the Authorised After-Sales Technical Assistance Service). The power cable must be laid as shown (Fig. 1-2). In the event of mains fuse replacement on the P.C.B., use a 3.15A quick-blow fuse. For the main power supply to the appliance, never use adapters, multiple sockets or extension leads.



1.6 REMOTE CONTROLS AND ROOM CHRONO-THERMOSTATS (OPTIONAL).

The boiler is prepared for the application of room chrono-thermostats or remote controls, which are available as optional kits (Fig. 1-3 and 1-4). All Immergas chrono-thermostats are connected with 2 wires only. Carefully read the user and assembly instructions contained in the accessory kit.

- On/Off digital Immergas chrono-thermostat. The chrono-thermostat allows:
 - set two room temperature value: one for daytime (comfort temperature) and one for night-time (reduced temperature);
 - set a weekly program with four daily switch on and switch off times;
 - select the required operating mode from the various possible alternatives:
 - manual mode (with adjustable temperature).
 - automatic mode (with set program).
 - forced automatic mode (momentarily changing the temperature of the automatic program).

The chrono-thermostat is powered by two 1.5V LR 6 type alkaline batteries.

- There are two types of remote controls available: Comando Amico Remoto remote control^{V2} (CAR^{V2}) and Super Comando Amico Remoto remote control (Super CAR) both with a climate chrono-thermostat operation. In addition to the functions described in the previous point, the chrono-thermostat panels enable the user to control all the important information regarding operation of the appliance and the central heating system with the opportunity of easily intervening on the previously set parameters without having to go to the place where the appliance is installed. The panel is provided with self-diagnosis to display any boiler functioning anomalies. The climate chrono-thermostat incorporated into the remote panel enables the system flow temperature to be adjusted to the actual needs of the room being heated, in order to obtain the desired room temperature with extreme precision and therefore with evident saving in running costs. The chrono-thermostat is fed directly by the boiler by means of the same 2 wires used for transmitting data between boiler and device.

Important: if the CAR^{V2} or Super CAR is used the climatic heat adjustment function must be excluded, i.e. setting it in the On/Off mode.

CAR^{V2}, Super CAR or On/Off room/chrono thermostat electrical connection (Optional).

The operations described below must be performed after having removed the voltage from the appliance. Any On/Off room thermostats or chrono thermostats must be connected to terminal "X9" (Fig. 3-2) on the area control board: terminal 1 and 2 (S20-1) for direct zone 1 control; terminal 3 and 4 (S20-2) for mixed zone 2 control. Make sure that the On/Off thermostats contact is of the "clean" type, i.e. independent of the mains supply, otherwise the zone management board would be damaged.

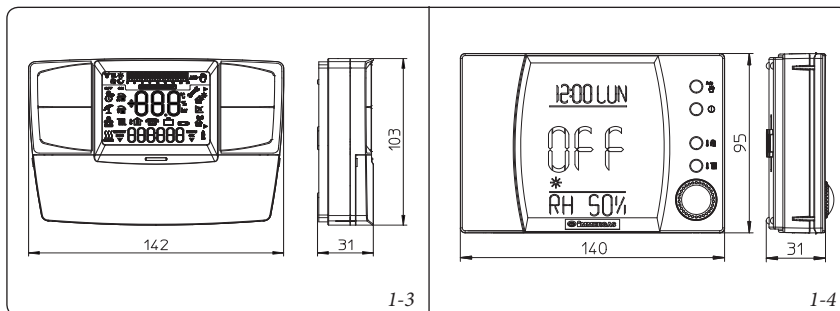
Any CAR^{V2} or Super CAR must be connected by means of terminals IN+ and IN- to terminals 42 and 43 on the adjustment board respecting polarity (Fig. 3-2). Connection with the wrong polarity prevents functioning, but without damaging the CAR^{V2}. The boiler can only be connected to one remote control.

The CAR^{V2} must be prepared with On/Off functioning (see CAR^{V2} instruction book), so preventing climatic adjustment that would not permit sufficient comfort in the system zone not managed by the CAR^{V2} but by room thermostats.

Note: the CAR^{V2} always controls the main zone. By acting on the "S26" selector present on the zone management board, the main zone can be selected (Par. 3.9):

- if the main zone is the mixed zone (factory setting); in this case terminals 3 and 4 on terminal block "X9" on the zone management board must remain free;
- if the main zone is the direct zone. In this case terminals 1 and 2 on terminal block "X9" on the zone management board must remain free.

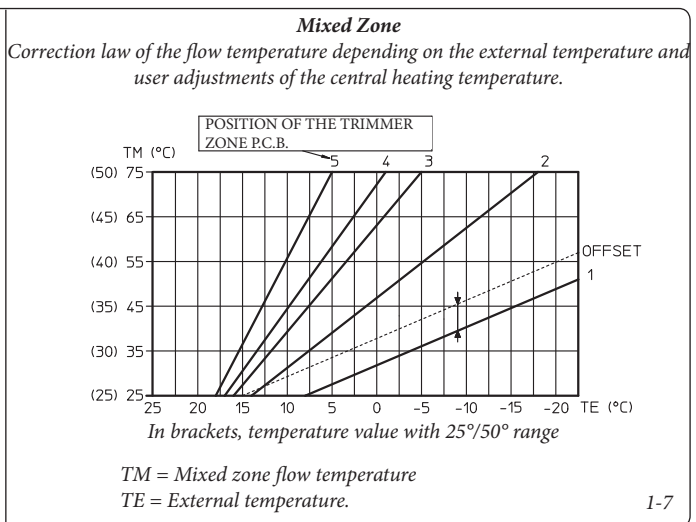
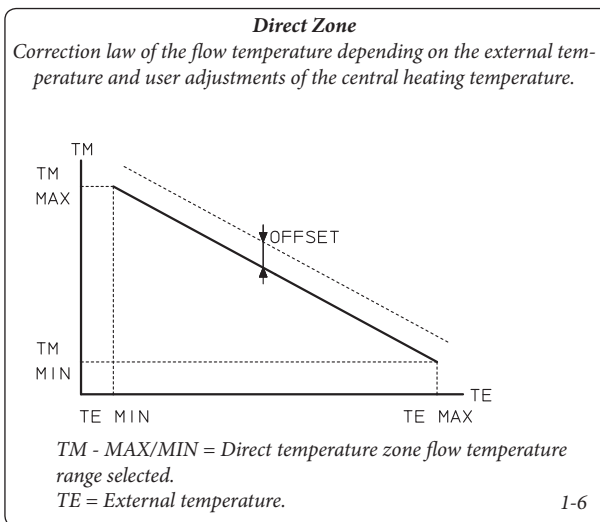
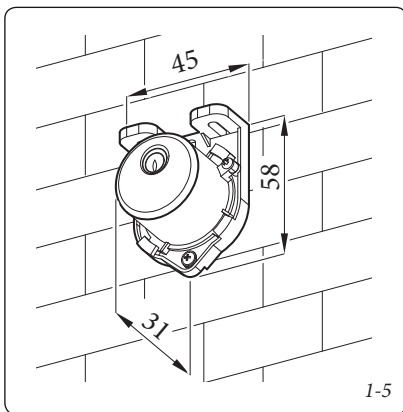
Important: if the Comando Amico Remoto remote control^{V2} is used, arrange two separate lines in compliance with current regulations regarding electrical systems. No boiler pipes must ever be used to earth the electric system or telephone lines. Ensure elimination of this risk before making the boiler electrical connections.



1.7 EXTERNAL TEMPERATURE PROBE (OPTIONAL).

The boiler is designed for the application of the Room Thermostat (Fig. 1-5) which is available as an optional kit. Refer to the relative instruction sheet to position the external probe. The probe can be connected directly to the boiler electrical system and allows the max. system flow temperature to be automatically decreased when the external temperature increases, in order to adjust the heat supplied to the system according to the change in external temperature. The external probe always operates when connected, regardless of the presence or type of room chrono-thermostat used and can work in combination with Immergas timer thermostats. The electric connection of the external probe must be made on clamps 38 and 39 on the boiler P.C.B. (Fig. 3-2).

- **Direct Zone Check.** The correlation between system flow temperature and external temperature is determined by the parameters set in menu "M5" under item "P66" according to the curves represented in the diagram (Fig. 1-6).
- **Mixed Zone Check.** The correlation between flow temperature to the system and external temperature is determined by the position of the trimmer (16 Fig. 3-5) on the zone board according to the curve represented in the diagram (Fig. 1-7).



1.8 IMMERGAS FLUE SYSTEMS.

Immergas supplies various solutions separately from the boilers regarding the installation of air intake terminals and flue exhaust, which are fundamental for boiler operation.

Attention: the boiler must be installed exclusively with an original Immergas “Green Range” inspectionable air intake system and fumes extraction system made of plastic, with the exception of the C6 configuration, as required by the regulations in force.

The plastic pipes cannot be installed outdoors, for tracts longer than 40 cm, without suitable protection from UV rays and other atmospheric agents.

This system can be identified by an identification mark and special distinctive marking bearing the note: “only for condensing boilers”.

- Resistance factors and equivalent lengths. Each flue component has a *Resistance Factor* based on experimental tests and specified in the table below. The Resistance Factor for individual components is independent from the type of boiler on which it is installed and has a dimensionless size. It is however, conditioned by the temperature of the fluids that pass through the pipe and therefore, varies according to applications for air intake or flue exhaust. Each single component has a resistance corresponding to a certain length in metres of pipe of the same diameter; the so-called *equivalent length*, can be obtained from the ratio between the relative Resistance Factors. *All boilers have an experimentally obtainable maximum Resistance Factor equal to 100.* The maximum Resistance Factor allowed corresponds to the resistance encountered with the maximum allowed pipe length for each type of Terminal Kit. This information allows calculations to be made to verify the possibility of setting up various flue configurations.

- Positioning the gaskets (black) for “green range” flue systems.** Position the gasket correctly (for bends and extensions) (Fig. 1-8):

- gasket (A) with notches, to use for bends;
- gasket (B) without notches, to use for extensions;

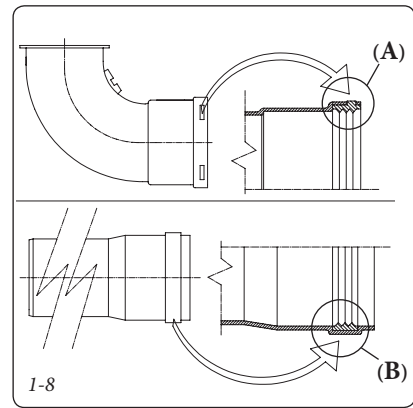
N.B.: if component lubrication (already carried out by the manufacturer) is not sufficient, remove the residual lubricant using a dry cloth, then to ease fitting coat the parts with talc, supplied in the kit.

- Coupling extension pipes and concentric elbows. To install push-fitting extensions with other elements of the flue, proceed as follows: Install the concentric pipe or elbow with the male side (smooth) on the female side (with lip seal) to the end stop on the previously installed element in order to ensure sealing efficiency of the coupling.

Attention: if the exhaust terminal and/or concentric extension pipe needs shortening, consider that the internal duct must always protrude by 5 mm with respect to the external duct.





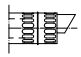
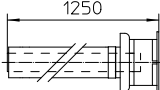
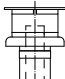
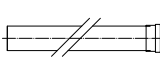
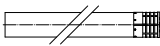
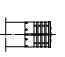


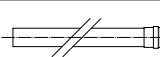

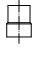
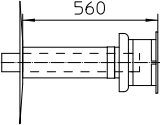
- N.B.:** for safety purposes, do not obstruct the boiler intake/exhaust terminal, even temporarily.

- N.B.:** when installing horizontal pipes, a minimum inclination of 3% must be maintained and a section clip with pin must be installed every 3 metres.



1.9 TABLES OF RESISTANCE FACTORS AND EQUIVALENT LENGTHS.

TYPE OF DUCT		Resistance Factor (R)	Equivalent length in m of concentric pipe Ø 80/125
Concentric pipe Ø 80/125 m 1		2.1	1
Concentric bend 90° Ø 80/125		3.0	1.4
Concentric bend 45° Ø 80/125		2.1	1
Terminal complete with concentric horizontal intake-exhaust Ø 80/125		2.8	1.3
Terminal complete with concentric vertical intake-exhaust Ø 80/125		3.6	1.7
Concentric bend 90° Ø 80/125 with inspection		3.4	1.6
Stub pipe with inspection Ø 80/125		3.4	1.6

TYPE OF DUCT		Resistance Factor (R)	Equivalent length in m of concentric pipe Ø 60/100	Equivalent length in metres of pipe Ø 80	Equivalent length in metres of pipe Ø 60	Equivalent length in m of concentric pipe Ø 80/125
Concentric pipe Ø 60/100 m 1		Intake and Exhaust 6.4	m 1	Intake m 7.3	Exhaust m 1.9	m 3.0
				Exhaust m 5.3		
Concentric bend 90° Ø 60/100		Intake and Exhaust 8.2	m 1.3	Intake m 9.4	Exhaust m 2.5	m 3.9
				Exhaust m 6.8		
Concentric bend 45° Ø 60/100		Intake and Exhaust 6.4	m 1	Intake m 7.3	Exhaust m 1.9	m 3.0
				Exhaust m 5.3		
Terminal complete with concentric horizontal intake-exhaust Ø 60/100		Intake and Exhaust 15	m 2.3	Intake m 17.2	Exhaust m 4.5	m 7.1
				Exhaust m 12.5		
Concentric horizontal intake- exhaust terminal Ø 60/100		Intake and Exhaust 10	m 1.5	Intake m 11.5	Exhaust m 3.0	m 4.7
				Exhaust m 8.3		
Terminal complete with concentric vertical intake-exhaust Ø 60/100		Intake and Exhaust 16.3	m 2.5	Intake m 18.7	Exhaust m 4.9	m 7.7
				Exhaust m 13.6		
Concentric vertical intake-exhaust terminal Ø 60/100		Intake and Exhaust 9	m 1.4	Intake m 10.3	Exhaust m 2.7	m 4.3
				Exhaust m 7.5		
Pipe Ø 80 m 1		Intake 0.87	m 0.1	Intake m 1.0	Exhaust m 0.4	m 0.4
			Exhaust 1.2	m 0.2		Exhaust m 1.0
Complete intake terminal Ø 80 m 1		Intake 3	m 0.5	Intake m 3.4	Exhaust m 0.9	m 1.4
Intake terminal Ø 80 Exhaust terminal Ø 80		Intake 2.2	m 0.35	Intake m 2.5	Exhaust m 0.6	m 1
			Exhaust 1.9	m 0.3		Exhaust m 1.6
Bend 90° Ø 80		Intake 1.9	m 0.3	Intake m 2.2	Exhaust m 0.8	m 0.9
			Exhaust 2.6	m 0.4		Exhaust m 2.1
Bend 45° Ø 80		Intake 1.2	m 0.2	Intake m 1.4	Exhaust m 0.5	m 0.5
			Exhaust 1.6	m 0.25		Exhaust m 1.3
Pipe Ø 60 m 1 for ducting		Exhaust 3.3	m 0.5	Intake 3.8	Exhaust m 1.0	m 1.5
				Exhaust 2.7		
Bend 90° Ø 60 for ducting		Exhaust 3.5	m 0.55	Intake 4.0	Exhaust m 1.1	m 1.6
				Exhaust 2.9		
Reduction Ø 80/60		Intake and Exhaust 2.6	m 0.4	Intake m 3.0	Exhaust m 0.8	m 1.2
				Exhaust m 2.1		
Terminal complete with exhaust vertical Ø 60 for ducting		Exhaust 12.2	m 1.9	Intake m 14	Exhaust m 3.7	m 5.8
				Exhaust m 10.1		

1.10 INSTALLATION OF BOILER TYPE B WITH OPEN CHAMBER AND FAN ASSISTED (OPTIONAL).

In this configuration the relevant terminal must be used (present in the intake kit for the installation in question) to be placed on the intake hole above the sealed chamber (Fig. 1-9). Air intake takes place directly from the environment and flue exhaust in individual chimney or to the outside. The boiler in this configuration, following the assembly instructions stated on the relative instruction sheet, is classified as type B₂₃ or B₅₃ (according to the applicable regulations).

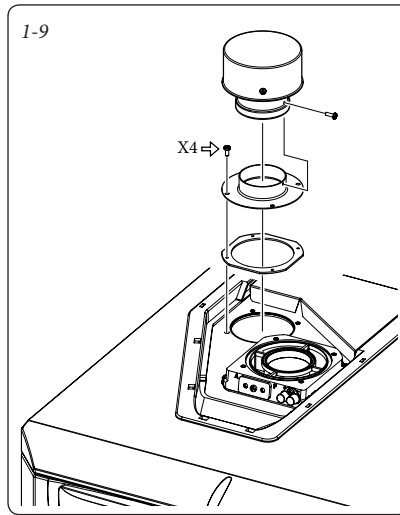
With this configuration:

air intake takes place directly from the environment in which the boiler is installed and only functions in permanently ventilated rooms

- the flue gas exhaust must be connected to its own individual flue or ducted directly into the external atmosphere;
- Type B open chamber boilers must not be installed in places where commercial, artisan or industrial activities take place, which use products that may develop volatile vapours or substances (e.g. acid vapours, glues, paints, solvents, combustibles, etc.), as well as dusts (e.g. dust deriving from the processing of wood, coal dust, cement, etc.), which may be harmful for the components of the appliance and jeopardise operation;
- in B₂₃ and B₅₃ configuration, the boilers must not be installed in bedrooms, bathrooms or in studio flats;
- installation of appliances in B₂₃ or B₅₃ configuration is recommended in non-residential premises and which are permanently ventilated.

The technical regulations in force must be respected.

Max. length of exhaust duct. The flue pipe (both vertical or horizontal) can be extended to a max. length of 30 linear metres.



1.11 CONCENTRIC HORIZONTAL KIT INSTALLATION.

Type C configuration, sealed chamber and fan assisted.

The position of the terminal (in terms of distances from openings, overlooking buildings, floor, etc.) must be in compliance with the regulations in force.

This terminal is connected directly to the outside of the building for air intake and flue exhaust. The horizontal kit can be installed with the rear, right side, left side or front outlet. For installation with frontal outlet, one must use the fixing plate and a concentric bend coupling in order to ensure sufficient space to carry out the tests required by law upon commissioning.

- External grid. Both the Ø 60/100 and Ø 80/125 intake/exhaust terminal, if properly installed, is pleasant to look at on the outside of the building. Make sure that the external silicone wall sealing plate is properly inserted in the wall.

N.B.: for proper system operation the terminal with grid must be installed correctly ensuring that, the "high" indication on the terminal is observed during installation.

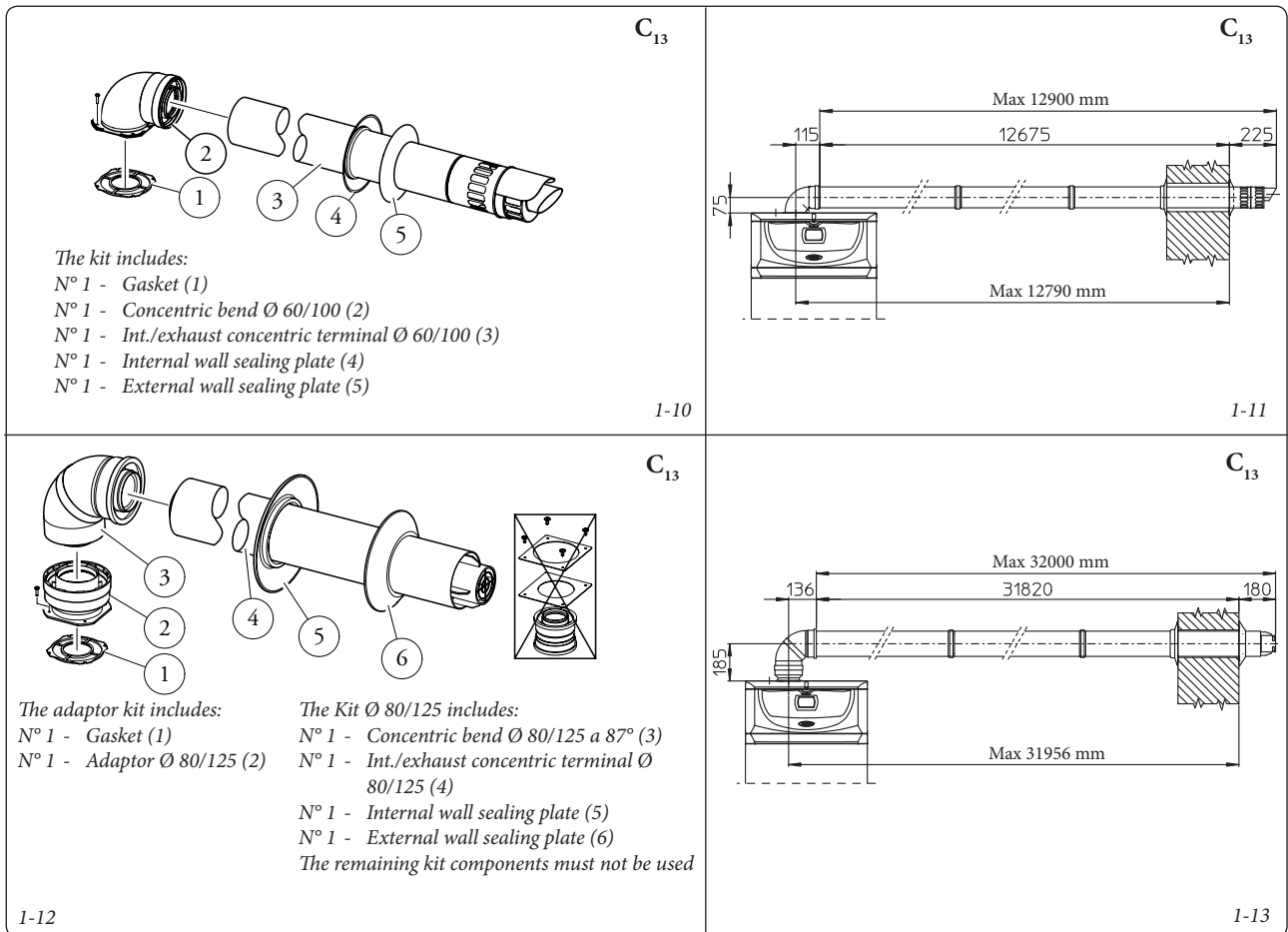
Horizontal intake-exhaust kit Ø 60/100 Kit assembly (Fig. 1-10): install the bend with flange (2) on the central hole of the boiler, positioning gasket (1) with the circular projections downwards in contact with the boiler flange, and tighten using the screws supplied with the kit. Fit the Ø 60/100 (3) concentric terminal pipe with the male side (smooth) to the female side of the bend (2) up to the end stop; making sure that the internal and external wall sealing plate have been fitted, this will ensure sealing and joining of the elements making up the kit.

- Extensions for Ø 60/100 horizontal kit (Fig. 1-11). The kit with this configuration can be extended up to a *max. 12.9 horizontal m* including the terminal with grid and excluding the concentric bend leaving the boiler. This configuration corresponds to a resistance factor of 100. In this case the special extensions must be requested.

Immergas also provides a Ø 60/100 simplified terminal, which in combination with its extension kits allows you to reach a maximum extension of 11.9 metres.

Horizontal intake-exhaust kit Ø 80/125 Kit assembly (Fig. 1-12): to install the kit Ø 80/125 one must use the flanged adaptor kit in order to install the flue system Ø 80/125. Install the flanged adaptor (2) on the central hole of the boiler, positioning gasket (1) with the circular projections downwards in contact with the boiler flange and tighten using the screws supplied with the kit. Engage the bend (3) with the male side (smooth) to the end stop on the adaptor (1). Fit the Ø 80/125 (5) concentric terminal pipe with the male side (smooth) to the female side of the bend (4) (with lip seals) up to the end top; making sure that the internal (6) and external wall sealing plate (7) have been fitted, this will ensure sealing and joining of the elements making up the kit.

- Extensions for horizontal kit Ø 80/125 (Fig. 1-13). The kit with this configuration can be extended up to a *max. length of 32 m*, including the terminal with grid and excluding the concentric bend leaving the boiler. If additional components are assembled, the length equivalent to the maximum allowed must be subtracted. In this case the special extensions must be requested.



1.12 CONCENTRIC VERTICAL KIT INSTALLATION.

Type C configuration, sealed chamber and fan assisted.

Concentric vertical intake and exhaust kit. This vertical terminal is connected directly to the outside of the building for air intake and flue exhaust.

N.B.: the vertical kit with aluminium tile enables installation on terraces and roofs with a maximum slope of 45% (approx 25°) and the height between the terminal cap and half-shell (374 mm for Ø 60/100 and 260 mm for Ø 80/125) must always be observed.

Vertical kit with aluminium tile Ø 60/100.

Kit assembly (Fig. 1-14): install the concentric flange (2) on the central hole of the boiler, positioning gasket (1) with the circular projections downwards in contact with the boiler flange, and tighten using the screws supplied with the kit. Installation of the fake aluminium tile: replace the tiles with the aluminium sheet (4), shaping it to ensure that rainwater runs off. Position the fixed half-shell (6) on the aluminium tile and insert the intake-exhaust pipe (5). Fit the Ø 60/100

(3) concentric terminal pipe with the male end (5) (smooth) into the flange (2) up to the stop; making sure that the wall sealing plate has been fitted (3), this will ensure sealing and joining of the elements making up the kit.

Note: when the boiler is installed in areas where very rigid temperatures can be reached, a special anti-freeze kit is available that can be installed as an alternative to the standard kit.

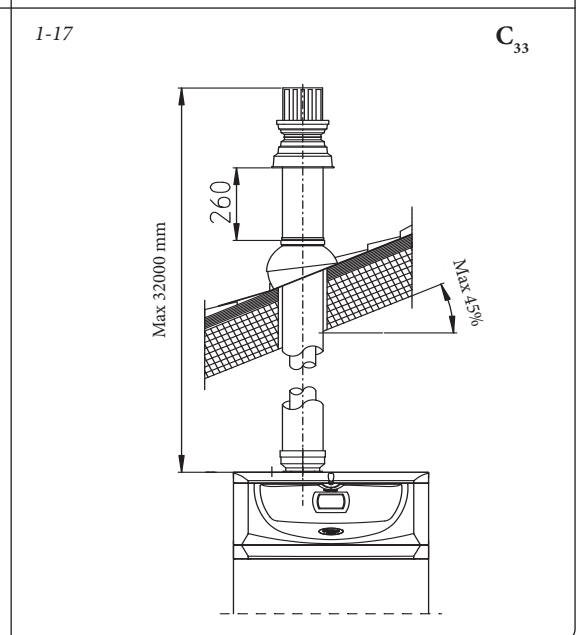
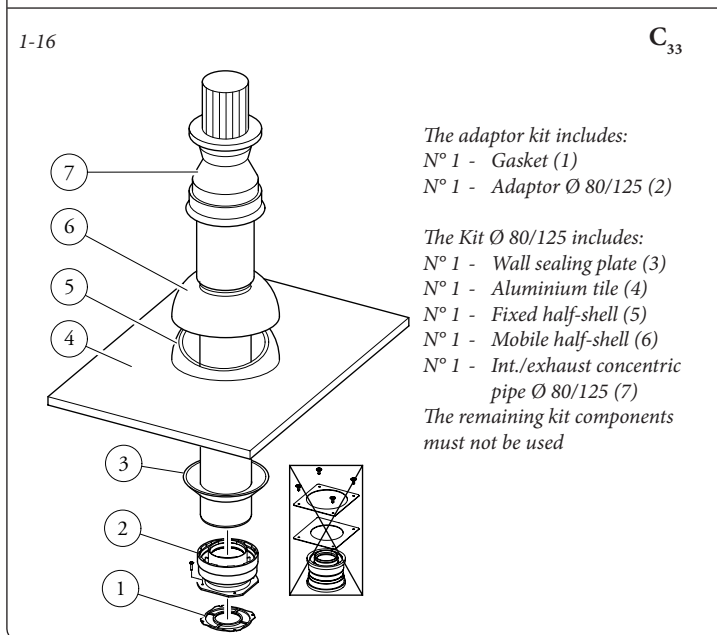
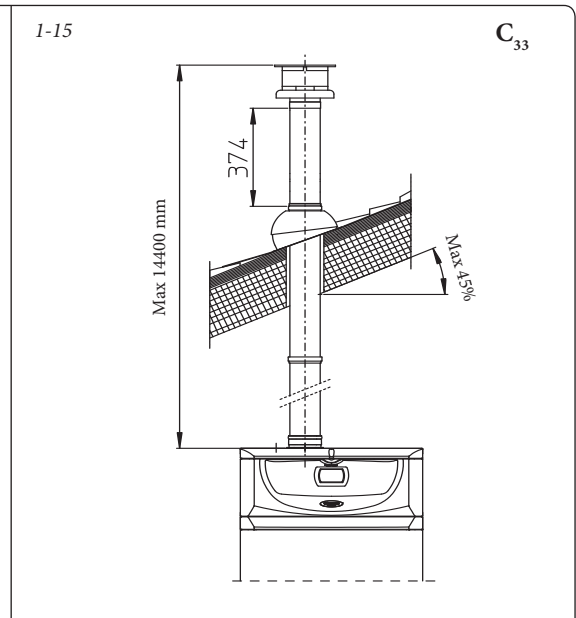
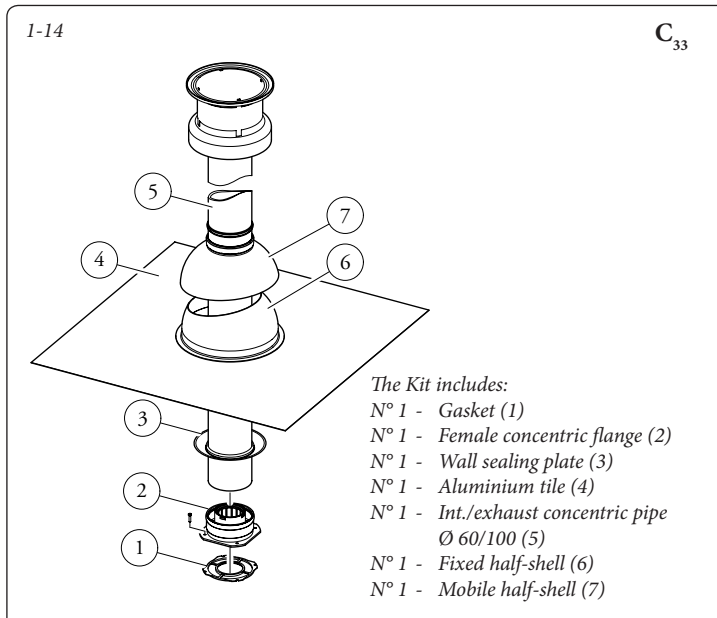
- Extensions for vertical kit Ø 60/100 (Fig. 1-15). The kit with this configuration can be extended to a max. straight vertical length of 14.4 m, including the terminal. This configuration corresponds to a resistance factor of 100. In this case specific extensions must be requested.

Vertical kit with aluminium tile Ø 80/125.

Kit assembly (Fig. 1-16): to install the kit Ø 80/125 one must use the flanged adaptor kit in order to install the flue system Ø 80/125. Install the flanged adaptor (2) on the central hole of the boiler, positioning gasket (1) with the circular projections downwards in contact with the boiler flange and tighten using the screws supplied with the kit. Installation of the fake aluminium

tile: replace the tiles with the aluminium sheet (4), shaping it to ensure that rainwater runs off. Position the fixed half-shell (5) on the aluminium tile and insert the intake-exhaust pipe (7). Fit the Ø 80/125 concentric terminal pipe with the male side (smooth) to the female side of the adapter (1) (with lip gaskets) up to the end stop; making sure that the wall sealing plate (3) has been fitted, this will ensure sealing and joining of the elements making up the kit.

- Extensions for vertical kit Ø 80/125 (Fig. 1-17). The kit with this configuration can be extended up to a max. length of 32 m including the terminal. If additional components are assembled, the length equivalent to the maximum allowed must be subtracted. In this case specific extensions must be requested.



1.13 SEPARATOR KIT INSTALLATION.
Type C configuration, sealed chamber and fan assisted.

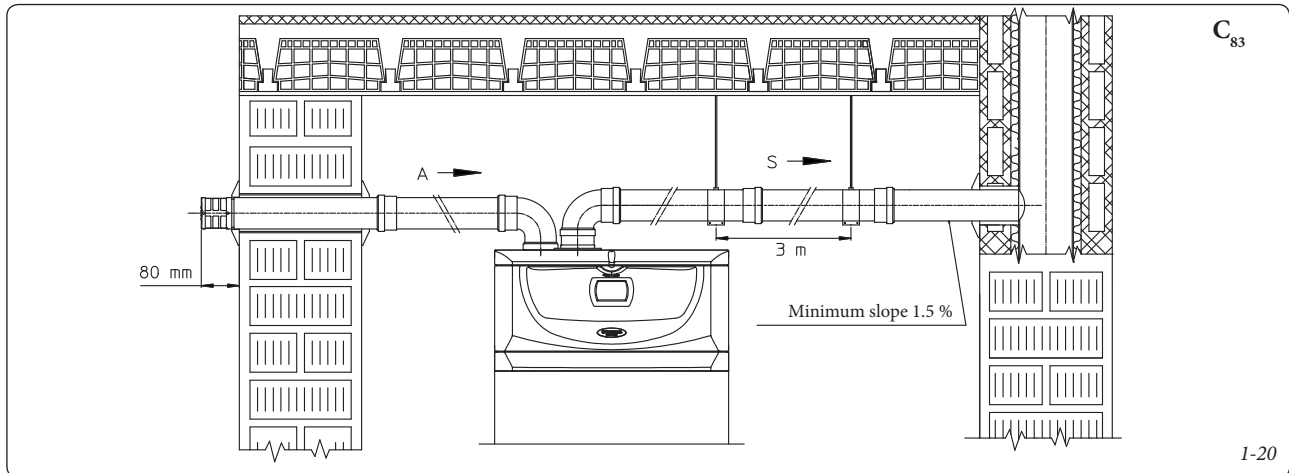
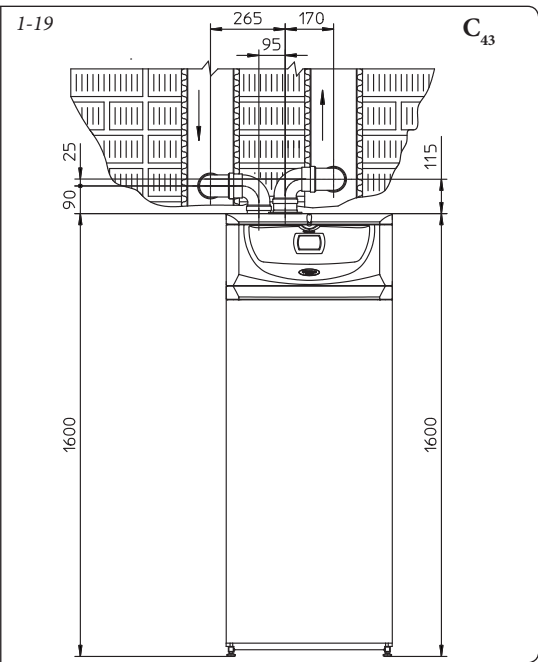
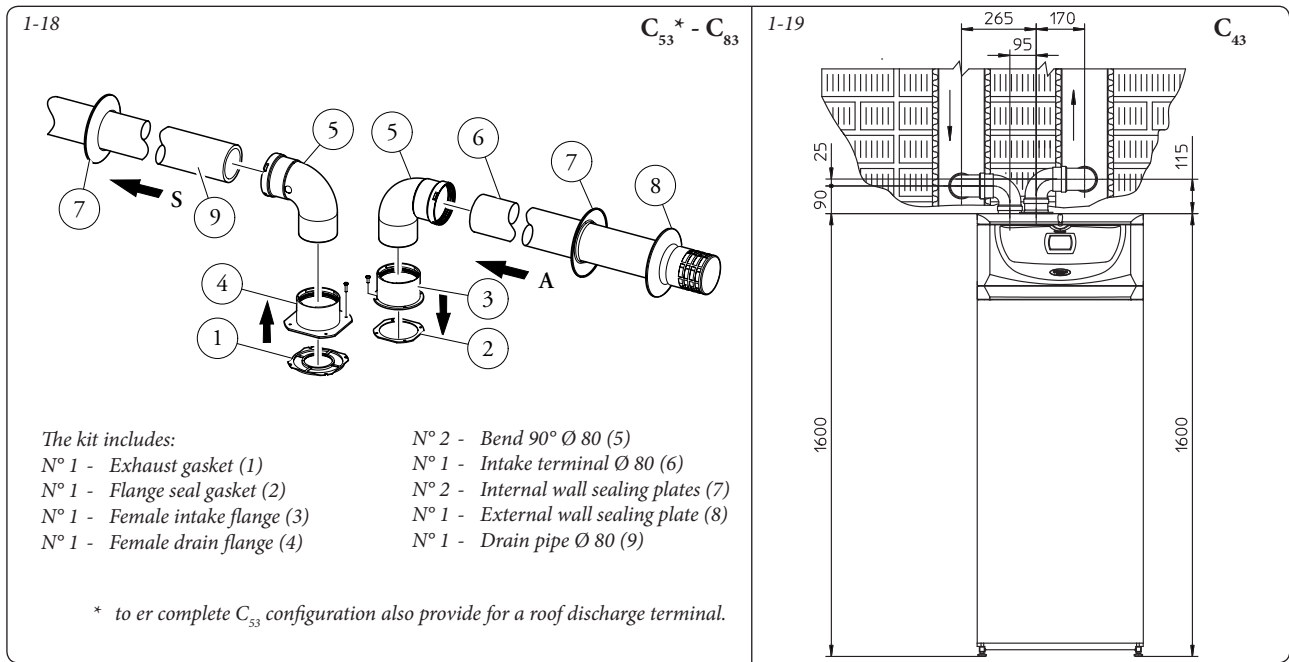
Separator kit Ø 80/80. This kit allows air to come in from outside the building and the exhaust to exit from the chimney, flue or intubated duct through divided flue exhaust and air intake pipes. Combustion products are expelled from pipe (S) (in plastic, so as to resist acid condensate). Air is taken in through duct (A) for combustion (this is also in plastic). The intake pipe (A) can be installed either on the right or left hand side of the central exhaust pipe (S). Both ducts can be routed in any direction.

- Kit assembly (Fig. 1-18): install flange (4) on the central hole of the boiler, positioning gasket (1) with the circular projections downwards in contact with the boiler flange, and tighten using the hex screws with flat tip supplied with the kit. Remove the flat flange present in the most external hole and replace it with the flange (3), positioning the gasket (2) already present in the boiler and tighten using the supplied self-threading screws. Fit the male side (smooth) to the bends (5) in the female side of the flanges (3 and 4). Fit the intake terminal (6) with the male side (smooth) in the female side of the bend (5) up to the end stop, ensuring that the internal and external wall sealing plates are

fitted. Fit the exhaust pipe (9) with the male side (smooth) to the female side of the bend (5) up to the end stop; making sure that the internal wall sealing plate has been fitted, this will ensure sealing and joining of the elements making up the kit.

- Installation clearances (Fig. 1-19). The minimum installation clearance measurements of the Ø 80/80 separator terminal kit have been stated in some limit conditions.
- Extensions for separator kit Ø 80/80. The maximum vertical straight length (without bends) that can be used for Ø 80 intake and exhaust pipes is 41 metres, regardless from whether they are used for intake or exhaust. The maximum horizontal straight length (with bend in suction and in exhaust) that can be used for Ø 80 intake and exhaust pipes is 36 metres, regardless from whether they are used for intake or exhaust.

N.B.: to favour the removal of possible condensate forming in the exhaust pipe, tilt the pipes towards the boiler with a minimum slope of 1.5% (Fig. 1-20).



1.14 ADAPTOR C9 KIT INSTALLATION.

This kit allows an Immergas boiler to be installed in "C₉₃" configuration, with combustion air intake directly from the shaft where the flue gas exhaust is, obtained by means of a ducting system.

System composition.

The system must be combined with the following components (sold separately) to be functional and complete:

- kit C₉₃ Ø 100 or Ø125 version
- ducting kit Ø 60 or Ø 80
- fumes exhaust kit Ø 60/100 or Ø 80/125 configured according to the installation and type of boiler.

Kit Assembly.

- Mount the components of kit "C9" on the door (A) of the ducting system (Fig. 1-22).
- (Version Ø 125 only) mount the flanged adaptor (11) interposing the concentric gasket (10) on the boiler, fitting it with the screws (12).
- Mount the ducting system as described in the relative instructions sheet.
- Calculate the distances between the boiler drain and the bend of the ducting system.
- Prepare the boiler flue system, making sure that the internal pipe of the concentric kit is fitted properly in the bend of the ducting system (quota "X" fig. 1-23), while the external pipe must be fitted on the adaptor until it stops (1).

N.B.: to encourage the removal of possible condensate forming in the exhaust pipe, tilt the pipes towards the boiler with a minimum slope of 1.5%.

- Mount the cover (A) complete with adaptor (1) and caps (6) on the wall and assemble the flue system to the ducting system.

N.B.: (version Ø 125 only) before assembly check the gaskets are in the right position. In the event component lubrication (already carried out by the manufacturer) is not sufficient, remove the residual lubricant using a dry cloth, then to ease fitting coat the parts with common or industrial talc.

Once all components have been assembled properly, the exhaust fumes will be expelled via the ducting system; the combustion air for normal boiler operation will be aspirated directly by the shaft (Fig. 1-23).

Technical data.

- The dimensions of the shafts must ensure a minimum gap between the outer wall of the smoke duct and the inner wall of the shaft: 30 mm for circular section shafts and 20 mm in the event of a square section shaft (Fig. 1-21).
- Maximum 2 changes of direction are allowed on the vertical section of the flue system with a maximum clearance angle of 30° with respect to the vertical.
- The maximum vertical extension using a Ø 60 ducting system is 13 m, the maximum extension includes 1 bend Ø 60/10 at 90°, 1 m of horizontal pipe 60/100, 1 90° ducted bend Ø 60 and the roof terminal for ducting.

To determine the C₉₃ flue system in configurations other than that described (Fig. 1-23) one must consider that 1 metre of ducted pipe according to the indications described has a resistance factor equal to 4.9.

- The maximum vertical extension using a Ø 80 ducting system is 28 m, the maximum extension includes 1 adapter 60/100 to 80/125, 1 87° bend Ø 80/125, 1 m of horizontal pipe 80/125, 1 90° ducted bend Ø 80 and the roof terminal for ducting.

To determine the C₉₃ flue system in configurations other than that described (Fig. 1-23) one must consider the following pressure drops:

- 1 m of concentric pipe Ø 80/125 = 1 m of ducted pipe;
- 1 87° bend = 1.4 m of ducted pipe;

Consequently one must subtract the equivalent length of the part added to the 28 m available.

1-21

Rigid Ø 60 ducting (A) mm	SHAFT (B) mm	SHAFT (C) mm
66	106	126

Rigid Ø 80 ducting (A) mm	SHAFT (B) mm	SHAFT (C) mm
86	126	146

Flexible Ø 80 ducting (A) mm	SHAFT (B) mm	SHAFT (C) mm
90	130	150

Kit composition:

Ref.	Qty	Description
1	1	Door adaptor Ø 100 or Ø 125
2	1	Door gasket made of neoprene
3	4	Screws 4.2 x 9 AF
4	1	Hex headed screw M6 x 20
5	1	Flat nylon washer M6
6	2	Door hole closure metal-sheet plate plug
7	1	Plug gasket made of neoprene
8	1	Toothed washer M6
9	1	Nut M6
10	1 (kit 80/125)	Concentric gasket Ø 60-100
11	1 (kit 80/125)	Flanged adaptor Ø 80-125)
12	4 (kit 80/125)	Hex headed screws M4 x 16 slotted
-	1 (kit 80/125)	Bag of lubricating talc

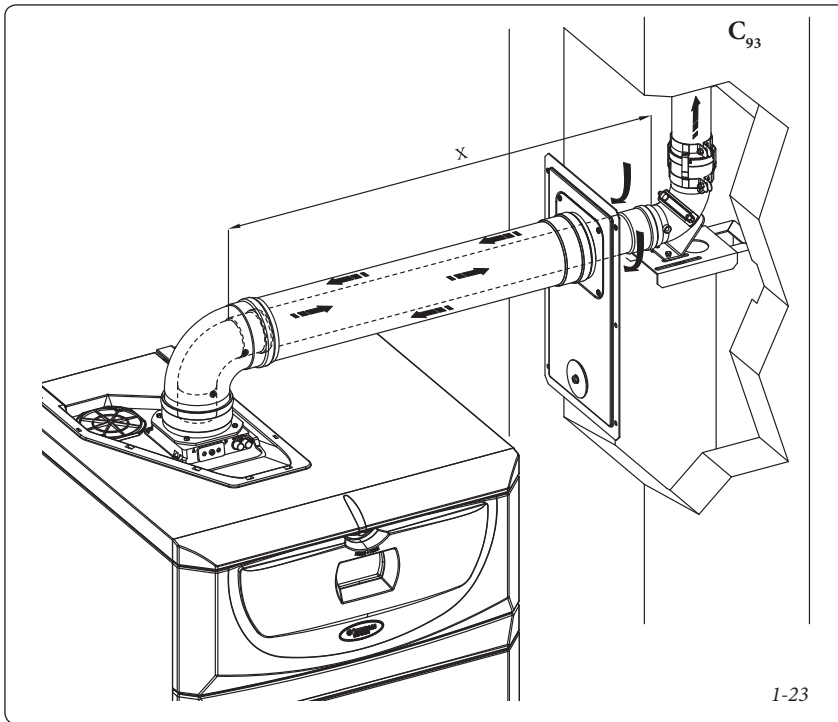
Installation drawings key:

- ① Unique identification of the component in the kit
- A Identification of the component not supplied in this kit

1-22

Supplied separately:

Ref.	Qty	Description
A	1	Ducting kit door



1-23

1.15 DUCTING OF FLUES OR TECHNICAL SLOTS.

Ducting is an operation through which, via the introduction of one or more relevant pipes, one achieves a system for the evacuation of the combustion products of a gas appliance, made up from the coupling of an existing or new ducting pipe with a chimney, flue or technical slot (also in new buildings) (Fig. 1-24). Ducting requires ducts declared to be suitable for the purpose by the manufacturer, following the installation and user instructions, provided by the manufacturer and the requirements of the standards in force.

Immergas ducting system. *The Ø 60 rigid and Ø 80 flexible "Green Range" ducting systems must only be used for domestic use and with Immergas condensing boilers.*

In any case, ducting operations must respect the provisions contained in the standard and in current technical regulations; in particular, the declaration of conformity must be compiled at the end of work and on commissioning of the ducted system. The instructions in the project or technical report must likewise be followed, in cases provided for by the standard and current technical regulations. The system or components of the system have a technical life complying with current standards, provided that:

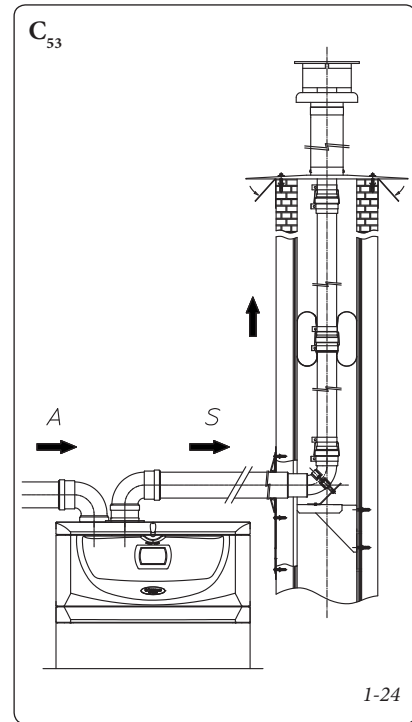
- it is used in average atmospheric and environmental conditions, according to current regulations (absence of fumes, dusts or gases that can alter the normal thermophysical or chemical conditions; existence of temperatures coming within the standard range of daily variation, etc.).
- Installation and maintenance must be performed according to the indications supplied by the manufacturer and in compliance with the regulations in force.

- The maximum length specified by the manufacturer must be respected in this regard:
- The max. possible length of the Ø 60 flexible ducting vertical section is equal to 22 m. This length is obtained considering the complete Ø 80 exhaust terminal, 1m of Ø 80 pipe in exhaust, two 90° Ø 80 bends at boiler outlet.
- The max. possible length of the Ø 80 flexible ducting vertical section is equal to 30 m. This length is obtained considering the complete exhaust terminal, 1m of Ø 80 pipe in exhaust, two 90° Ø 80 bends at boiler outlet for connecting to the ducting system and two direction changes of the flexible hose inside the chimney/technical slot.
- The maximum possible length of the Ø 80 rigid ducting vertical section is equal to 30 m. This length is obtained considering the complete Ø 80 exhaust terminal, 1m of Ø 80 pipe in exhaust, two 90° Ø 80 bends on the boiler outlet.

1.16 CONFIGURATION TYPE B, OPEN CHAMBER AND FAN ASSISTED FOR INDOORS.

The appliance can be installed inside buildings in ₂₃ or ₅₃ mode; in this case, all technical rules and national and local regulations in force, must be complied with.

- type B open chamber boilers must not be installed in places where commercial, artisan or industrial activities take place, which use products that may develop volatile vapours or substances (e.g. acid vapours, glues, paints, solvents, combustibles, etc.), as well as dusts (e.g. dust deriving from the working of wood, coal fines, cement, etc.), which may be harmful for the components of the appliance and jeopardise operation.



1-24

- in ₂₃ and ₅₃ configuration the boilers must not be installed in bedrooms, bathrooms or bedsits, unless otherwise provided for by local regulations in force. They must neither be installed in rooms containing solid fuel heat generators nor in rooms communicating with said rooms.
- The installation of appliances in ₂₃ and ₅₃ configurations are only recommended in places that are not lived in and which are permanently ventilated.

For installation the suitable kit must be used, referred to in paragraph 1.10.

1.17 FLUE EXHAUST TO FLUE/CHIMNEY.

The flue exhaust does not necessarily have to be connected to a branched type traditional flue. The flue exhaust, for boiler clots installed in C configuration, can be connected to a special LAS type multiple flue. For ₂₃ configurations, exhaust is only allowed into individual chimney or directly into the external atmosphere via a suitable terminal, unless otherwise provided for by local regulations in force. The multiple flues and the combined flues must also only be connected to type C appliances of the same type (condensing), having nominal heat inputs that do not differ by more than 30% less with respect to the maximum that can be attached and powered by the same fuel. The thermo-fluid dynamic features (flue flow rate, % of carbon dioxide, % humidity etc....) of the appliances attached to the same multiple flues or combined flues, must not differ by more than 10% with respect to the average boiler attached. Multiple and combined flues must be specially designed according to the calculation method and requirements of the technical standards in force, by a professionally qualified company. Chimney or flue sections for connection of the flue exhaust pipe must comply with requisites of technical standards in force.

INSTALLER

USER

MAINTENANCE TECHNICIAN

1.18 FLUES, CHIMNEYS, CHIMNEY POTS AND TERMINALS.

The flues, chimneys and chimney pots for the evacuation of combustion products must be in compliance with applicable standards. Chimneys and roof-installed exhaust terminals must comply with the outlet height and with the distance from technical volumes set forth by the technical standards in force.

Positioning the wall flue exhaust terminals. The wall flue exhaust terminals must:

- be installed on external perimeter walls of the building;
- be positioned according to the minimum distances specified in current technical standards.

Combustion products exhaust of natural draught or fan assisted appliances in open-top closed environments. In spaces closed on all sides with open tops (ventilation pits, courtyards etc.), direct combustion product exhaust is allowed for natural draught or fan assisted gas appliances with a heat input range from 4 to 35 kW, provided the conditions as per the current technical standards are respected.

1.19 SYSTEM FILLING.

Once the boiler is connected, proceed with system filling via the filling cock (Fig. 2-11). Filling is performed at low speed to ensure release of air bubbles in the water via the boiler and central heating system vents.

The pump may be noisy on start-up due to the presence of air. This noise should stop after a few minutes of functioning and however after having correctly bled the air contained in the hydraulic circuit.

The boiler incorporates an automatic vent valve positioned on the boiler pump and one positioned on the hydraulic manifold. *Make sure that the hoods are loosened.* Open the radiator vent valves.

Close radiator vent valves when only water escapes from them.

Close the filling cock when the boiler pressure gauge indicates approx. 1.2 bar.

N.B.: during these operations, turn on the circulating pump at intervals using the main switch on the control panel. *Vent the circulation pump by loosening the front cap and keeping the motor running and assuring that the liquid that escapes cannot cause injury/damage to persons/objects.* Tighten the cap after the operation.

Attention: to carry out the filling procedure correctly, activate the "automatic vent" function, see paragraph 3.15.

1.20 CONDENSATE TRAP FILLING.

On first lighting of the boiler combustion products may come out the condensate drain; after a few minutes' operation check that this no longer occurs. This means that the trap is filled with condensate to the correct level preventing the passage of combustion products.

1.21 GAS SYSTEM START-UP.

To start up the system, refer to the technical standard in force.

In particular, for new gas systems:

- open windows and doors;
- avoid presence of sparks or open flames;
- bleed all air from the pipelines;
- check that the internal system is properly sealed according to the specifications set forth by technical regulations in force.

1.22 BOILER START UP (IGNITION).

To commission the boiler (the operations listed below must only be performed by a qualified firm and without any unauthorised persons):

- check that the internal system is properly sealed according to the specifications set forth by technical regulations in force;
- make sure that the type of gas used corresponds to boiler settings;
- Check that there are external factors that may cause the formation of fuel pockets;
- switch the boiler on and check correct ignition;
- make sure that the gas flow rate and relevant pressure values comply with those given in the manual (Par. 3.19);
- ensure that the safety device intervenes in the event of gas supply failure and check the relative intervention time;
- check the intervention of the main switch located upstream from the boiler and in the boiler;
- check that the intake and/or exhaust terminals (if fitted) are not blocked.

The boiler must not be started up even if only one of the checks should be negative.

1.23 CIRCULATION PUMP.

Boilers in the “Hercules Condensing ABT 32 3 ErP” series are supplied with 2 types of circulating pumps. Set operation modes according to one’s installation requirements.

- **Boiler circulator pump.** The circulating pump is not equipped with speed selector. To change operation mode, parameter “Pump sp.” in the “Configurations” boiler menu must be changed.

Pump release. If the pump should be blocked after a long period of inactivity, it must be released. Loosen the front cap, making sure that the liquid that escapes cannot cause injury/damage to persons/objects and turn the motor shaft very carefully using a screwdriver so as not to damage the latter. Once the pump is released, close the vent cap.

- **Direct and mixed zone circulator.** The pump is ideal for the requirements of each central heating system in a domestic and residential environment. In fact, the pump is equipped with electronic control that allows to set advanced functions.

Adjustments. Turn the selector and set it on the desired curve to adjust the circulator pump.

Program	LED
P 1 lower (ΔP-V) P 2 upper (ΔP-V)	green
C 3 lower (ΔP-C) - H=3 m C 4 upper (ΔP-C) - H=4 m	orange
Min - Max	blue

Program P (1 lower 2 upper) (ΔP-V) - Proportional curve (green LED). This allows the pressure level (head) to be proportionally reduced as the system heat demand decreases (flow rate reduction). Thanks to this func-

tion, the electric power consumption of the circulator pump is reduced further: the energy (power) used by the pump decreases according to the pressure level and flow rate. With this setting, the pump guarantees optimal performance in most heating systems, thereby being particularly suitable in single-pipe and two-pipe installations. Any noise of the water flow in the pipes, valves and radiators is eliminated by reducing the head. Optimal conditions for thermal comfort and acoustic well-being.

Programs C (3 lower 4 upper) (ΔP-C) - Constant curve (orange LED). The circulator pump maintains the pressure level (head) constant as the system heat demand decreases (flow rate reduction). With these settings, the circulator pump is suitable for all floor systems where all the circuits must be balanced for the same drop in head.

MIN-MAX Program (Blue LED). The pump is distinguished by adjustable operating curves by positioning the selector in any point between the Min and Max positions, thereby satisfying any installation requirement (from a simple single-pipe to more modern and sophisticated systems) and always guarantee optimum performance. The precise working point can be selected in the entire field of use by gradually adjusting the speed.

Real time diagnostics: a lit LED (in various colours) provides information regarding the pump operating status, see fig. 1-25

Possible pump release. The pump block is indicated by a fixed red LED switching on. Turn the selector up to the MAX position, disconnect and reconnect the power to restart the automatic release process. The pump will then activate the procedure that will last a maximum of 15 minutes and the LED will flash upon each

restart. It then turns blue for a few seconds and goes back to red if the attempt to restart is not successful. Once the process is complete, set the selector back to the desired curve and if the problem has not been resolved, perform the manual release procedure as described below.

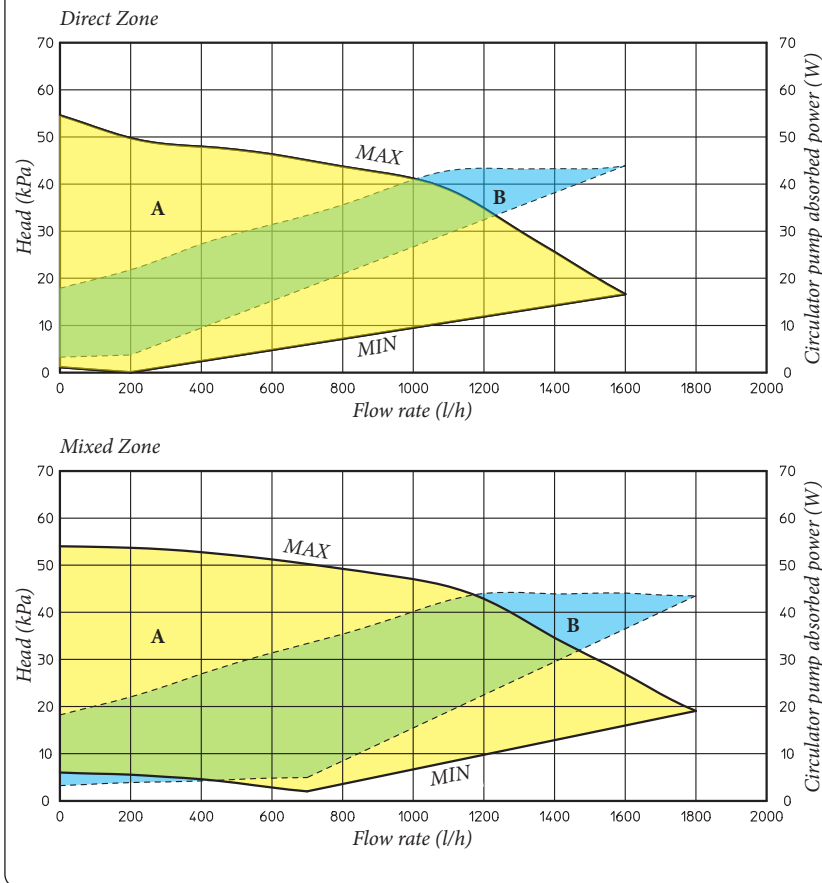
- Disconnect the power to the boiler (the LED switches off).
- Close the system flow and return and let the pump cool down.
- Empty the system circuit via the relative cock.
- Remove the motor and clean the impeller.
- Once unblocked, remount the motor.
- Fill the primary circuit; restore boiler power and set the desired curve.

Attention: there is a burns hazard due to high fluid temperature and pressure. **Burns hazard from coming in contact.**

Circulating pump LED	Description	Diagnostics	Remedy
LED steady on	Pump noisy	Insufficient system pressure, circulating pump in cavitation	Restore correct thermal circuit pressure
		Presence of foreign matter in the impeller	Remove the motor and clean the impeller
Flashing white LED	Noises during circulation of the heat transfer fluid	Presence of air in the system	Vent the system
LED steady on		Flow rate too high	Reduce rotation speed
LED off	The circulator does not work	Power outage	Ensure the boiler is correctly powered, ensure the circulator is correctly powered
Red LED		Faulty circulating pump	Replace the circulating pump
		Rotor seized	Remove the motor and clean the impeller
		Insufficient power supply voltage	Check boiler power supply voltage

Head available to the direct zone system fixed speed.

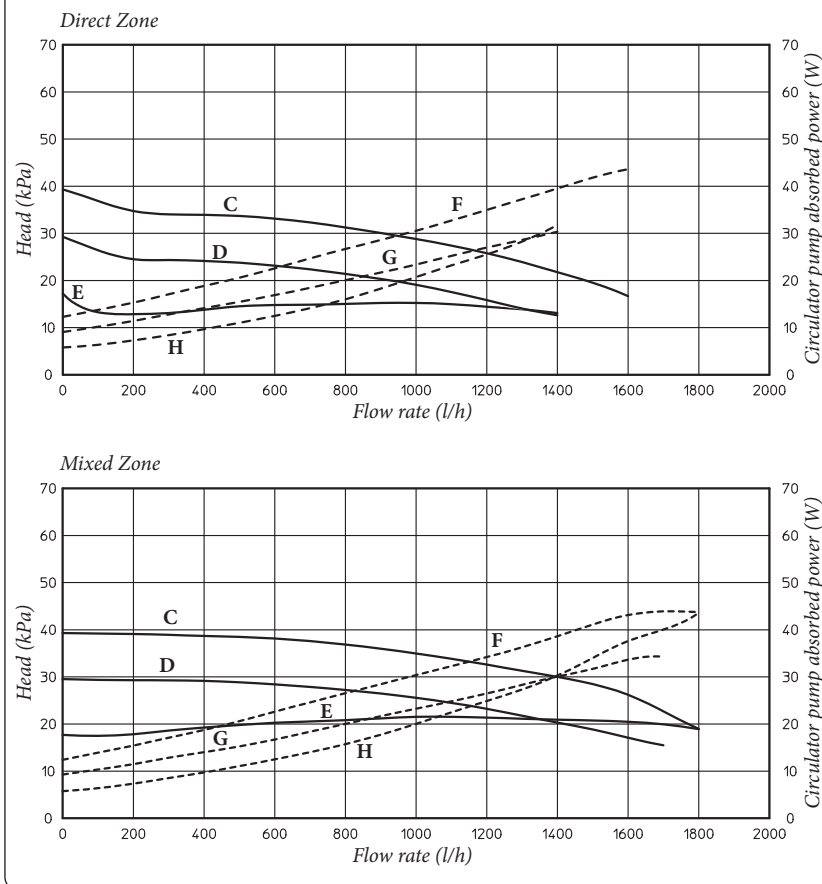
1-26A



Key:
 A = Available head
 B = Power absorbed by the circulator pump (dotted area)

Head available to the direct zone system proportional or constant speed.

1-26B



Key:
 C = Head available to the system with circulator pump selector in position C4 (standard setting)
 D = Head available to the system with circulator pump selector in position C3
 E = Head available to the system with circulator pump selector in position P2
 F = Circulator pump power with selector in position C4 (standard setting)
 G = Circulator pump power with selector in position C3
 H = Circulator pump power with selector in position P2

1.24 DOMESTIC HOT WATER STORAGE TANK UNIT.

The “Hercules Condensing ABT 32 3 ErP” boiler is the accumulation type with a capacity of 120 litres. It contains large coiled stainless steel heat exchanger pipes, which allow to notably reduce hot water production times. These storage tank units constructed with stainless steel casing and bottoms, guarantee long duration through time. The assembly concepts and welding (T.I.G.) are implemented to the minimum detail to ensure maximum reliability.

The upper inspection flange ensures practical control of the storage tank unit and the coiled heat exchanger and easy internal cleaning.

The domestic hot water connections are placed on the flange cover (cold inlet and hot outlet) along with the Magnesium Anode support cap including the same, supplied as standard for internal protection of the storage tank unit from possible corrosion.

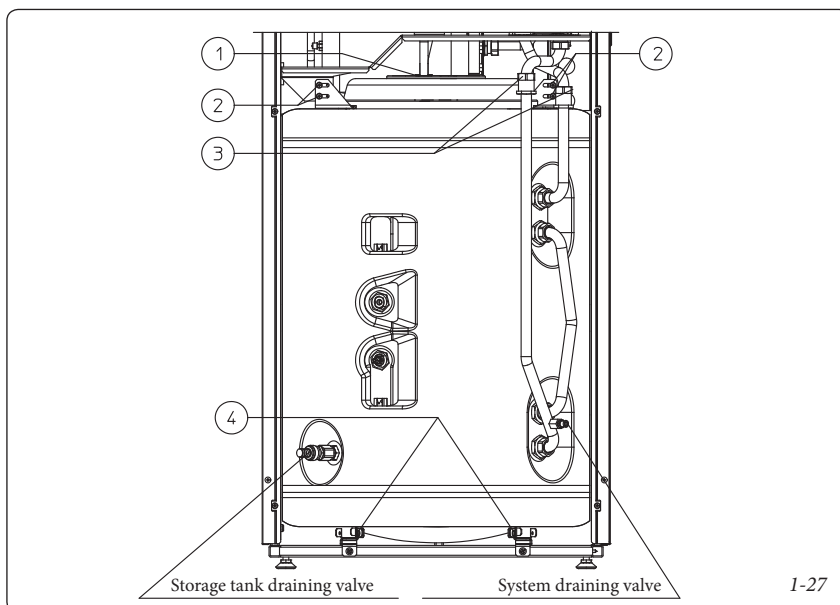
Storage tank unit disassembly. To disassemble the storage tank unit, empty the boiler system by acting on the relevant drain fitting. Before carrying out this operation, ensure the filling valve is closed. Close the cold water inlet valve and open any domestic hot water cock. Loosen the nuts on the system flow and return pipes (3) and the cold inlet and hot outlet nuts present on the storage tank unit (1). Loosen the bracket fixing screws (2) Remove the screws (4) with the relative retainer brackets and slide the cylinder outwards on the relevant guides. Work in reverse order to assemble the storage tank unit.

N.B.: have the efficiency of the storage tank Magnesium Anode checked annually by a qualified firm. The storage tank unit is prepared for introduction of the domestic hot water pump fitting.

1.25 KITS AVAILABLE ON REQUEST.

- Recirculation kit (on request). The boiler storage tank unit is prepared for application of the pump kit. Immergas supplies a series of fittings and attachments that allow connection between the storage tank unit and domestic hot water system. The pump probe fitting is already inserted on the storage unit kit and the indication of the pump kit attachment is envisioned on the installation template.
- System cut-off valves kit (on request). The boiler is designed for installation of system interception cocks to be placed on flow and return pipes of the connection assembly. This kit is particularly useful for maintenance as it allows the boiler to be drained separately without having to empty the entire system.
- Polyphosphate dispenser kit (on request). The polyphosphate dispenser reduces the formation of lime-scale and preserves the original heat exchange and domestic hot water production conditions. The boiler is prepared for application of the polyphosphate dispenser kit.
- Solar panels kit (on demand). If solar panels are to be used for the production of domestic hot water, Immergas supplies the solar panels kit on demand.

The above-mentioned kits are supplied complete with instructions for assembly and use.



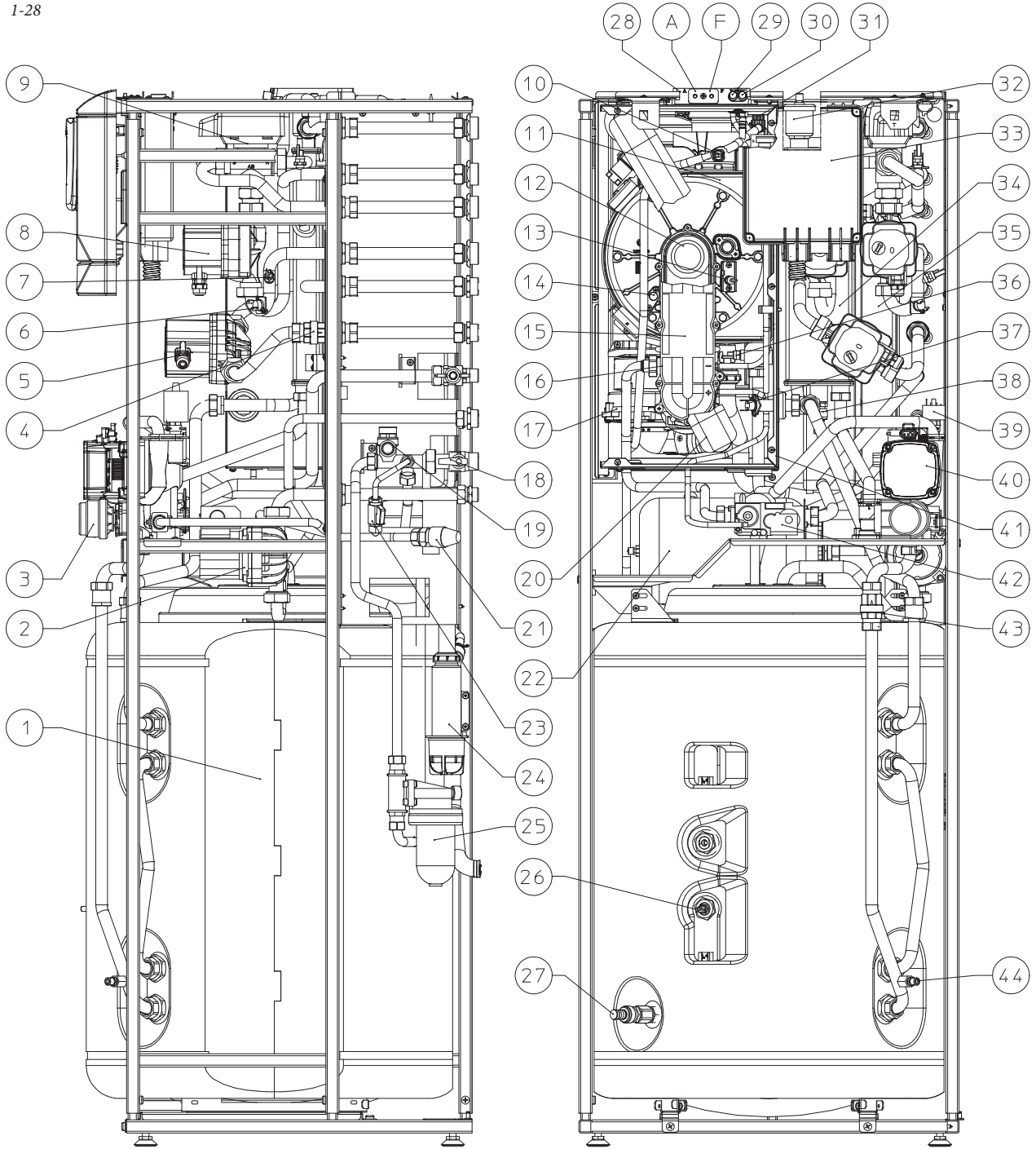
1.26 BOILER COMPONENTS.

1-28

INSTALLER

USER

MAINTENANCE TECHNICIAN



Key

- | | | |
|---|--|---|
| 1 - Stainless steel storage tank unit | 18 - Cold water inlet cock | 34 - Hydraulic manifold |
| 2 - DHW recirculation pump (optional) | 19 - 8 bar safety valve | 35 - System expansion vessel |
| 3 - Three-way valve (motorised) | 20 - Air intake pipe | 36 - Flow probe |
| 4 - Zone 1 one-way valve | 21 - 3 bar safety valve | 37 - Safety thermostat |
| 5 - Zone 1 pump | 22 - D.H.W. expansion vessel | 38 - Manifold draining valve |
| 6 - Safety thermostat (mixed zone) (optional) | 23 - System filling valve | 39 - System pressure switch (absolute) |
| 7 - Flow probe (mixed zone) (optional) | 24 - Condensate drain trap | 40 - Boiler Circulator |
| 8 - Zone 2 pump (optional) | 25 - Polyphosphate dispenser (optional) | 41 - Sealed Chamber |
| 9 - Mixing valve (optional) | 26 - Domestic hot water probe | 42 - Gas valve |
| 10 - Flue probe | 27 - Storage tank unit draining valve | 43 - Storage tank unit return one-way valve |
| 11 - Condensation module | 28 - Sample points (air A) - (flue gas F) | 44 - System draining valve |
| 12 - Burner | 29 - Positive signal pressure point | |
| 13 - Ignition electrode | 30 - Negative signal pressure point | |
| 14 - Detection electrode | 31 - Manual air vent valve | |
| 15 - Venturi | 32 - Vent valve | |
| 16 - Gas nozzle | 33 - Zones management electrical connection box (optional) | |
| 17 - Fan | | |

2 USE AND MAINTENANCE INSTRUCTIONS

2.1 CLEANING AND MAINTENANCE.

Attention: to preserve the boiler's integrity and keep the safety features, performance and reliability which distinguish it unchanged over time, maintenance operations must be carried out on a yearly basis in compliance with that stated in the "annual check and maintenance of the appliance" section, in compliance with national, regional, or local standards in force.

2.2 GENERAL WARNINGS.

Use of the boiler by unskilled persons or children is prohibited.

For safety purposes, check that the air intake/flue exhaust terminals (if fitted) are not blocked. If temporary shutdown of the boiler is required, proceed as follows:

- a) drain the water system if antifreeze is not used;
- b) shut-off all electrical, water and gas supplies.

In the event of work or maintenance on structures located in the vicinity of ducting or devices for flue extraction and relative accessories, switch off the appliance and on completion of operations ensure that a qualified technician checks the efficiency of the ducting or other devices.

Never clean the appliance or connected parts with easily flammable substances.

Never leave containers or flammable substances in the same environment as the appliance.

• **Attention:** the use of components involving use of electrical power requires some fundamental rules to be observed, such as:

- do not touch the appliance with wet or moist parts of the body; do not touch when bare-foot;
- never pull electrical cables nor leave the appliance exposed to weathering (rain, sunlight, etc.);
- the appliance power cable must not be replaced by the user;
- in the event of damage to the cable, switch off the appliance and contact exclusively qualified staff for replacement;
- if the appliance is not to be used for a certain period, disconnect the main power switch.

N.B.: the temperatures indicated by the display have a tolerance of +/- 3°C due to environmental conditions that cannot be attributed to the boiler.

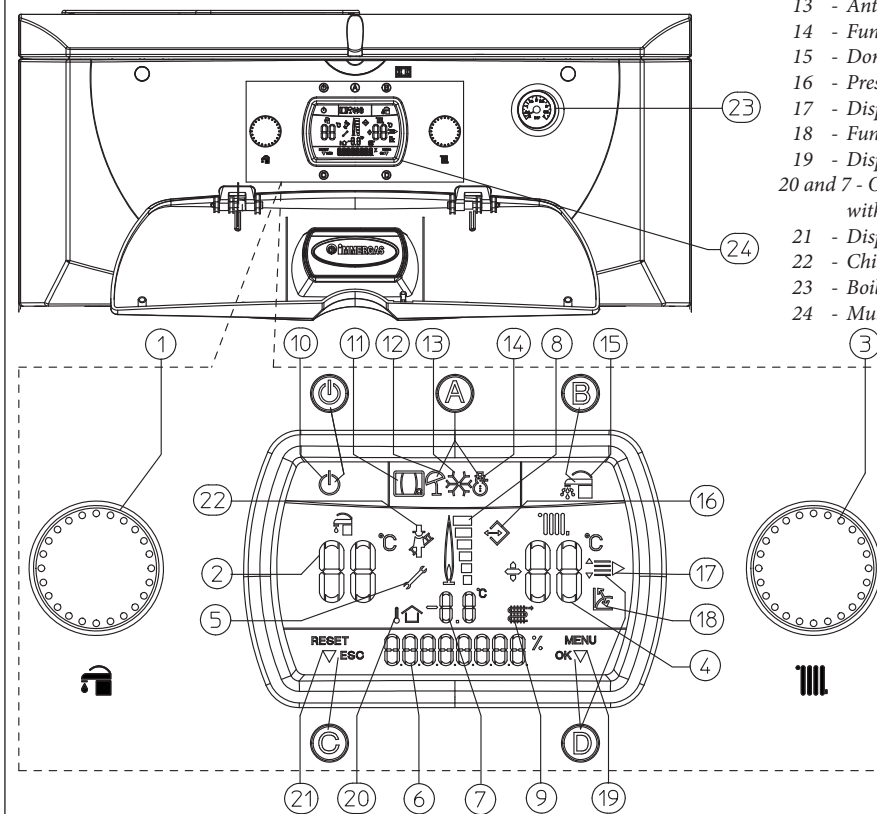
At the end of its service life the appliance must not be disposed of like normal household waste nor abandoned in the environment, but must be removed by a professionally qualified firm. Contact the manufacturer for disposal instructions.

2.3 CONTROL PANEL.

Key:

- ⏻ - Stand-by - On Button
- A - Summer (☀️) and winter (❄️) operating mode button
- B - DHW priority button (🚿)
- C - Reset (RESET) / exit menu (ESC) button
- D - Menu entry button (MENU) / data confirmation (OK) button
- 1 - Domestic hot water temperature selector
- 2 - Domestic hot water temperature set
- 3 - Central heating temperature selector

- 4 - Central heating temperature set
- 4 - Presence of anomalies
- 6 - Display of boiler functioning status
- 8 - Flame presence symbol and relative power scale
- 9 and 7 - Primary heat exchanger outlet water temperature
- 10 - Boiler in stand-by
- 11 - Boiler connected to remote control (Optional)
- 12 - Functioning in summer mode
- 13 - Antifreeze function in progress
- 14 - Functioning in winter mode
- 15 - Domestic hot water priority functioning active
- 16 - Presence of external connected devices
- 17 - Display of menu items
- 18 - Functioning with external temperature probe active
- 19 - Display of data confirmation or menu access
- 20 and 7 - Outside temperature display with external probe connected (optional)
- 21 - Display of reset or exit menu request
- 22 - Chimney sweep function in progress
- 23 - Boiler manometer
- 24 - Multi-function display



2-1

2.4 DESCRIPTION OF FUNCTIONING STATES

Below find a list of boiler functioning states that appear on the multifunction display (24) by

means of the indicator (6) with a brief description. Refer to the instruction book for a complete explanation.

Display (6)	Description of functioning states
SUMMER	Summer functioning mode without request in progress. Boiler in stand-by for domestic hot water request.
WINTER	Winter functioning mode without request in progress. Boiler in stand-by for domestic hot water or central heating request.
DHW ON	Domestic hot water mode in progress. Boiler functioning, domestic hot water heating in progress.
CH ON	Central heating mode in progress. Boiler functioning, central heating in progress.
F3	Antifreeze mode in progress. Boiler functioning to restore the minimum safety temperature against boiler freezing.
CAR OFF	Remote Control (Optional) off.
DHW OFF	With domestic hot water priority disabled (indicator 15 off), the boiler only functions in room central heating mode for duration of 1 hour, however keeping the domestic hot water at minimum temperature (20°C), after which the boiler goes back to the normal functioning, previously set. In the case of use with Super CAR jointly with the operation period in reduced D.H.W. Timer mode, will be displayed DHW OFF and indicators 15 and 2 switch off (see Super CAR instructions manual).
F4	Postventilation in progress. Fan in function after a request for domestic hot water or central heating in order to evacuate residual flue gas.
F5	Postcirculation in progress. Pump in function after a request for domestic hot water or central heating in order to cool the primary circuit.
P33	With Remote Control (Optional) in block, the boiler still works in central heating mode. (Can be activated through the "M3" menu. It allows to activate the central heating even if the Remote Control is out of order).
STOP	Reset attempts finished Wait for 1 hour to re-acquire 1 attempt. (Error code 08).
ERR xx	Anomaly present with relative error code. The boiler does not work. (see troubleshooting paragraph).
SET	When the domestic hot water temperature selector switch is turned (1 Fig. 2-1) it displays the control status of the domestic hot water temperature in progress.
SET	When the central heating temperature selector switch is turned (1 Fig. 2-1) it displays the control status of the boiler flow temperature for room central heating.
SET	In the presence of the external probe (optional) replace the "SET" item. The value that appears is the correction of the flow temperature with respect to the functioning curve set by the external probe. See OFFSET in the graphs of the external probe (Fig. 1-6, 1-7).
F8	System deaeration in progress. During this phase, which lasts 18 hours, the boiler circulator pump is started at preset intervals, thus allowing deaeration of the central heating system.
F9	Only in the case of use with Super CAR, does it allow to activate the anti-legionella function, which takes the temperature of the water in the storage tank to 65°C for 15 minutes. (see Super CAR instruction manual).

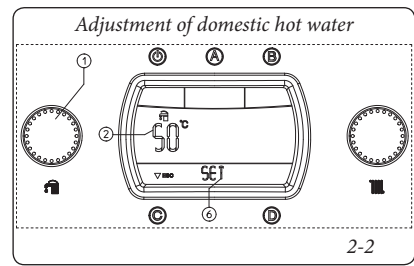
2.5 USING THE BOILER.

Before ignition make sure the central heating system is filled with water and that the manometer (23) indicates a pressure of 1 - 1.2 bar;
Open the gas cock upstream from the boiler.

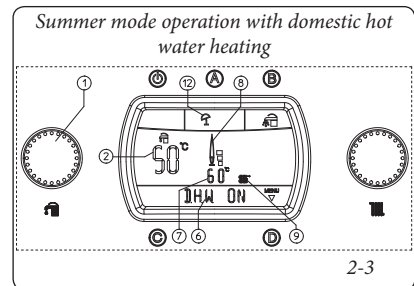
With the boiler off, only the Stand-by symbol (10) appears on the display. By pressing the (⏻) button the boiler switches on.

Once the boiler is on, by pressing button "A" repeatedly, the functioning mode changes and switches from summer functioning mode (☀️) to winter functioning mode (❄️).

• **Summer** (☀️): in this mode the boiler functions only to heat domestic hot water. The temperature is set using the selector switch (1) and the relative temperature is shown on the display (24) by means of the indicator (2) and the "SET" indication appears (Fig. 2-2). By turning the selector switch (1) in a clockwise direction the temperature increases and in an anti-clockwise direction it decreases.

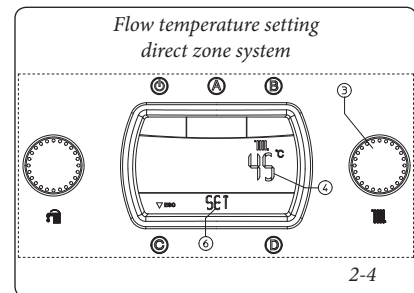


During domestic hot water heating, "DHW ON" is displayed (24) on the status indicator (6) and at the same time as the burner ignites, the flame presence indicator switches on (8) with the relative power scale and the indicator (9 and 7) with the instantaneous outlet temperature from the primary heat exchanger.

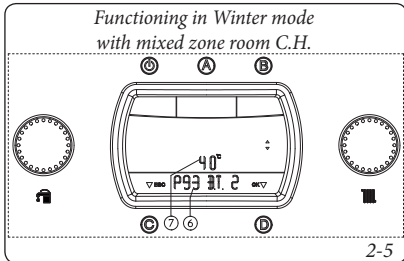


• **Winter** (❄️): in this mode the boiler functions both for heating domestic hot water and heating the environment. The temperature of the DHW is always adjusted using the selector switch (1).

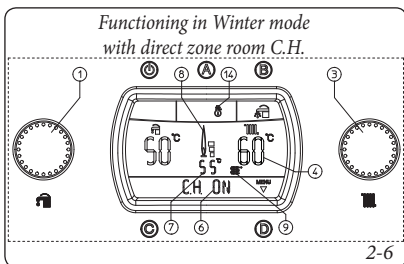
- **Direct zone.** The central heating temperature in the direct zone is adjusted using the selector switch (3), and the relative temperature is shown on the display (24) using the indicator (4) and the "SET" indication appears (Fig. 2-4). By turning the selector switch (3) in a clockwise direction the temperature increases and in an anti-clockwise direction it decreases.



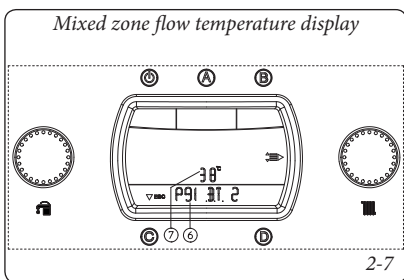
- **Mixed zone.** The central heating temperature in the mixed zone is adjusted using parameter "P93" in the "M9" menu using the selector switch (3), the relative temperature is shown on the display (24) using the indicator (7) and the "P93" indication appears (Fig. 2-5). By turning the selector switch (3) in a clockwise direction the temperature increases and in an anti-clockwise direction it decreases.



During the request for room heating "CH ON" is displayed (24) on the status indicator (6) and at the same time as burner ignition the flame presence indicator switches on (8) with relative power scale and the indicator (9 and 7) with the instantaneous outlet temperature from the primary heat exchanger. In the central heating phase, if the temperature of the water contained in the system is sufficient to heat the radiators, the boiler can only function with the activation of the boiler pump.



The flow temperature in the mixed zone can be displayed during the central heating request. Enter the "M9" menu and select parameter "P91" on the display (24) using the indicator (7), the instant temperature detected on boiler outlet appears.



• **Operation with Comando Amico Remoto remote control v2 (CAR^{v2}) (Optional).** In the event of connection to the CAR^{v2} remote control, the boiler automatically detects the device and the symbol (📺) is displayed. From now on selectors (1 and 3) and buttons (A and B) are inhibited and controls are placed with CAR^{v2}.

Note: In the central heating mode, the CAR^{v2} makes a boiler ignition request for the main set zone (whether it be direct or mixed). Regarding the central heating temperature value, only check the direct zone. To adjust the temperature in the mixed zone it is therefore necessary to act on the control panel as described at the "Winter" point.

Attention: If the boiler is put into stand-by (10) the "CON" connection error symbol will appear on the CAR^{v2} remote control. The CAR^{v2} remote control is however constantly powered thus stored programs are not lost.

• **Operation with Super Comando Amico Remoto remote control (Super CAR) (Optional).** In the event of connection to the Super CAR remote control, the boiler automatically

detects the device and the (📺) symbol appears on the display. From now on, it is possible to make adjustments from either the Super CAR or the boiler, except for the direct zone room central heating temperature, which is shown on the display but managed by the Super CAR.

Note: In the central heating mode, the Super CAR makes a boiler ignition request for the main set zone (whether it be direct or mixed). Regarding the central heating temperature value, only check the direct zone. To adjust the temperature in the mixed zone it is therefore necessary to act on the control panel as described at the "Winter" point.

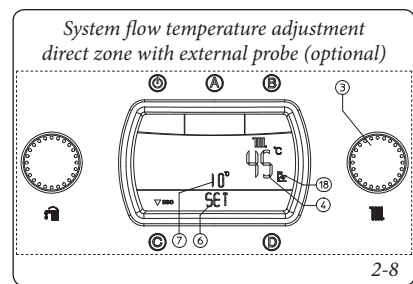
Attention: if the boiler is put into stand-by (10) the "ERR>CM" connection error symbol will be displayed on the Super CAR. The Super CAR remote control is however constantly powered thus stored programs are not lost.

• **Domestic hot water priority function.** By pressing button "B" the D.H.W. priority function is activated, which is marked by the symbol (15) switching off on the display (24).

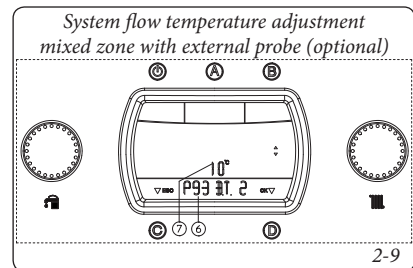
Attention: the disabled function keeps the water contained in the storage tank at a temperature of 20°C for 1 hour, giving the functioning priority to room central heating.

• **Functioning with external probe (Fig. 2-8) optional.** In the case of a system with optional external probe, the boiler flow temperature for room central heating is managed by the external probe depending on the external temperature measured (Par. 1.5 and par. 3.8 under item "P66"). It is possible to modify the flow temperature from -15°C to +15°C with respect to the adjustment curve (Fig. 1-6 and 1-7 Offset value).

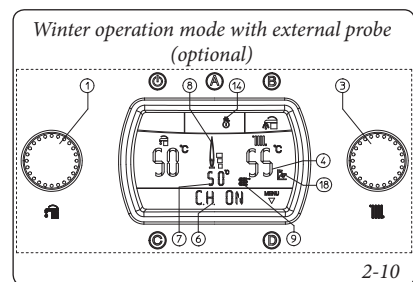
- **Direct zone correction.** The correction, which can be activated using selector switch (3) is kept active for any external temperature measured. The modification of the offset temperature is displayed via the indicator (7). The indicator (4) shows the current flow temperature and after a few seconds from the modification it is updated with the new correction. The "SET" indication is displayed (Fig. 2-8). By turning the selector switch (3) in a clockwise direction the temperature increases and in an anti-clockwise direction it decreases.



- **Mixed zone correction.** The correction can be activated by parameter "P93" in the "M9" menu using the selector switch (3) and is kept active for any external temperature measured, the modification of the offset temperature is displayed using the indicator (7). By turning the selector switch (3) in a clockwise direction the temperature increases and in an anti-clockwise direction it decreases.



During the request for room heating "CH ON" is displayed (24) on the status indicator (6) and at the same time as burner ignition the flame presence indicator switches on (8) with relative power scale and the indicator (9 and 7) with the instantaneous outlet temperature from the primary heat exchanger. In the central heating phase, if the temperature of the water contained in the system is sufficient to heat the radiators, the boiler can only function with the activation of the boiler pump.



From this moment the boiler functions automatically. With no demand for heat (central heating or domestic hot water production) the boiler goes to "standby" function, equivalent to the boiler being powered without presence of flame.

N.B.: it is possible that the boiler may start-up automatically if the antifreeze function is activated (13). Moreover, the boiler can function for a brief period of time after a withdrawal of domestic hot water in order to take the domestic hot water temperature back into temperature.

Attention: with the boiler in stand-by mode (🔌), hot water cannot be produced and the following safety functions are not ensured: pump anti-block device, antifreeze and three-way anti-block device.

INSTALLER

USER

MAINTENANCE TECHNICIAN

2.6 TROUBLESHOOTING.

The Hercules Condensing ABT 32 3 ErP boiler signals any anomalies by the flashing symbol (5) along with the "ERRxx" indication on the indicator (6) where "xx" corresponds to the error code described in the following table. On the remote control, the error code will be displayed by means of the same numeric code represented according to the following example (e.g. CAR^{v2} = Exx, Super CAR = ERR>xx).

Error Code	Anomaly signalled	Cause	Boiler status / Solution
01	No ignition block	In the event of request of room central heating or domestic hot water production, the boiler does not switch on within the preset time. Upon appliance commissioning or after extended downtime, it may be necessary to eliminate the block.	Press the Reset button (1)
02	Safety thermostat block (overheating), flame control or fumes thermofuse anomaly	During normal operation, if a fault causes excessive overheating internally, the boiler goes into overheating block.	Press the Reset button (1)
03	Flue safety thermostat block	During normal operation, if a fault causes excessive flue gas overheating, the boiler blocks	Press the Reset abutton (1)
04	Contacts resistance block	Safety thermostat fault (overheating) or flame control anomaly.	Press the Reset abutton (1)
05	Flow probe anomaly	The board detects an anomaly on the flow NTC probe.	The boiler does not start (1)
08	Maximum N° of reset	Number of allowed resets that have already performed.	Attention: the anomaly can be reset 5 times consecutively, after which the function is inhibited for at least one hour. One attempt is gained every hour for a maximum of 5 attempts. By switching the appliance on and off the 5 attempts are re-acquired.
10	Insufficient system pressure	Water pressure inside the central heating circuit that is sufficient to guarantee the correct operation of the boiler is not detected.	Check on the boiler pressure gauge (1) that the system pressure is between 1÷1.2 bar and restore the correct pressure if necessary.
12	Storage tank probe anomaly	The board detects an anomaly on the storage tank probe.	The boiler cannot produce domestic hot water.
15	Configuration error	If the board detects an anomaly or incongruity on the electric wiring, the boiler will not start.	If normal conditions are restored the boiler restarts without having to be reset (1)
16	Fan anomaly	This occurs if the fan has a mechanical or electrical fault.	Press the Reset button (1)
20	Parasite flame block	This occurs in the event of a leak on the detection circuit or anomaly in the flame control unit.	Press the Reset button (1)
22	General alarm	This type of error is displayed on the CAR ^{v2} or Super CAR remote control in the event of faults or anomalies of the circuit boards or components not directly connected to boiler management: anomaly on the zones control unit, substation or solar circuit.	(1)
23	Return probe anomaly	The board detects an anomaly on the return NTC probe	The boiler does not start (1)
24	Push button control panel anomaly	The board detects an anomaly on the pushbutton panel	If normal conditions are restored the boiler restarts without having to be reset (1)
25	Block due to flue gas temperature gradient intervention	If the board detects a rapid increase in flue gas temperature probably due to a blocked circulating pump or lack of water in the heat exchanger, the boiler shuts down due to the flue gas temperature gradient trip.	Press the Reset button (1)
27	Insufficient circulation	This occurs if there is overheating in the boiler due to insufficient water circulating in the primary circuit; the causes can be: - low system circulation; check that no shut-off devices are closed on the heating circuit and that the system is free of air (deaerated); - pump blocked; free the pump.	Press the Reset button (1).
29	Flue probe anomaly	If the board detects an anomaly on the flue gas probe the boiler will not start	(1)

(1) If the shutdown or fault persists, contact an authorised firm (e.g. Authorised Technical After-Sales Service).

Error Code	Anomaly signalled	Cause	Boiler status / Solution
31	Loss of remote control communication	This occurs if an incompatible remote control is connected, or if communication between the boiler and the remote control is lost.	Power cycle the boiler. If the Remote Control is still not detected on re-starting the boiler will switch to local operating mode, i.e. using the controls on the control panel. In this case function "CH ON" cannot be activated. To make the boiler work in "CH ON" mode, activate the "P33" function present inside the "M3" menu (1).
32	Mixed zone 2 probe anomaly	If the board detects an anomaly on the mixed zone 2 probe, the boiler cannot work in the affected area.	(1)
33	Mixed zone 3 probe anomaly	If the board detects an anomaly on the mixed zone 3 probe, the boiler cannot work in the affected area.	(1)
34	Safety thermostat intervention Mixed zone 2	During operation, if a fault causes excessive over-heating internally on the mixed zone 2, the boiler does not satisfy the requests of the interested zone.	If normal conditions are restored the boiler restarts without needing to be reset (1).
35	Safety thermostat intervention Mixed zone 3	During operation, if a fault causes excessive over-heating internally on the mixed zone 3, the boiler does not satisfy the requests of the interested zone.	If normal conditions are restored the boiler restarts without needing to be reset (1).
36	IMG Bus communication loss	Communication between the control units is interrupted due to an anomaly on the boiler control unit or on the IMG Bus.	The boiler does not satisfy the room heating requests (1).
37	Low power supply voltage	This occurs when the power supply voltage is lower than the allowed limits for the correct boiler operation.	If normal conditions are restored the boiler restarts without having to be reset (1).
38	Loss of flame signal	This occurs when the boiler is ignited correctly and the burner flame switches off unexpectedly; a new ignition attempt is performed and if normal conditions are restored, the boiler does not need to be reset (this fault can be checked in the list of errors in the "M1" menu only).	If normal conditions are restored the boiler restarts without having to be reset (1).
47	Burner power limitation	Should flue high temperature be detected, the boiler reduces power supplied so as not to damage it.	(1).

(1) If the shutdown or fault persists, contact an authorised firm (e.g. Authorised Technical After-Sales Service).

2.7 BOILER SHUTDOWN

Switch the boiler off by pressing the "⏻" button, disconnect the onnipolar switch outside of the boiler and close the gas cock upstream of the appliance. Never leave the boiler switched on if left unused for prolonged periods.

2.8 RESTORE CENTRAL HEATING SYSTEM PRESSURE.

Periodically check the system water pressure. The boiler pressure gauge should read a pressure between 1 and 1.2 bar.

If the pressure falls below 1 bar (when the circuit is cold) restore normal pressure via the relevant cock located to the right of the boiler and accessible from the side door (Fig. 2-8).

N.B.: close the cock after the operation.

If pressure values reach around 3 bar the safety valve may be activated.

In this case, remove water from an air vent valve of a radiator until reaching pressure of 1 bar, or ask for assistance from professionally qualified personnel.

In the event of frequent pressure drops, contact qualified staff for assistance to eliminate the possible system leakage.

2.9 SYSTEM DRAINING.

To drain the boiler, use the special draining valve (Fig. 1-27).

Before draining, ensure that the filling cock is closed.

2.10 CYLINDER DRAINING.

To drain the storage tank, use the special draining valve (Fig. 1-27).

N.B.: before performing this operation, close the boiler cold water inlet valve and open any DHW system hot water valve in order to air into the cylinder.

2.11 ANTIFREEZE PROTECTION.

The boiler comes standard with an antifreeze function that activates the pump and burner when the system water temperature in the boiler falls below 4°C.

The antifreeze function is only guaranteed if:

- the boiler is correctly connected to gas and electricity power supply circuits;
- the boiler is powered constantly;
- the boiler is on and not in stand-by (⏻)
- the boiler is not in no ignition block (Par.
- the boiler essential components are not faulty.

In the case of prolonged inactivity (second home), we also recommend to:

- disconnect the electric power supply;
- fully drain the central heating circuit, the boiler domestic hot water circuit and the condensation trap. In systems that are drained frequently, filling must be carried out with suitably treated water to eliminate hardness that can cause lime-scale.

2.12 CASE CLEANING.

Use damp cloths and neutral detergent to clean the boiler casing. Never use abrasive or powder detergents.

2.13 DECOMMISSIONING.

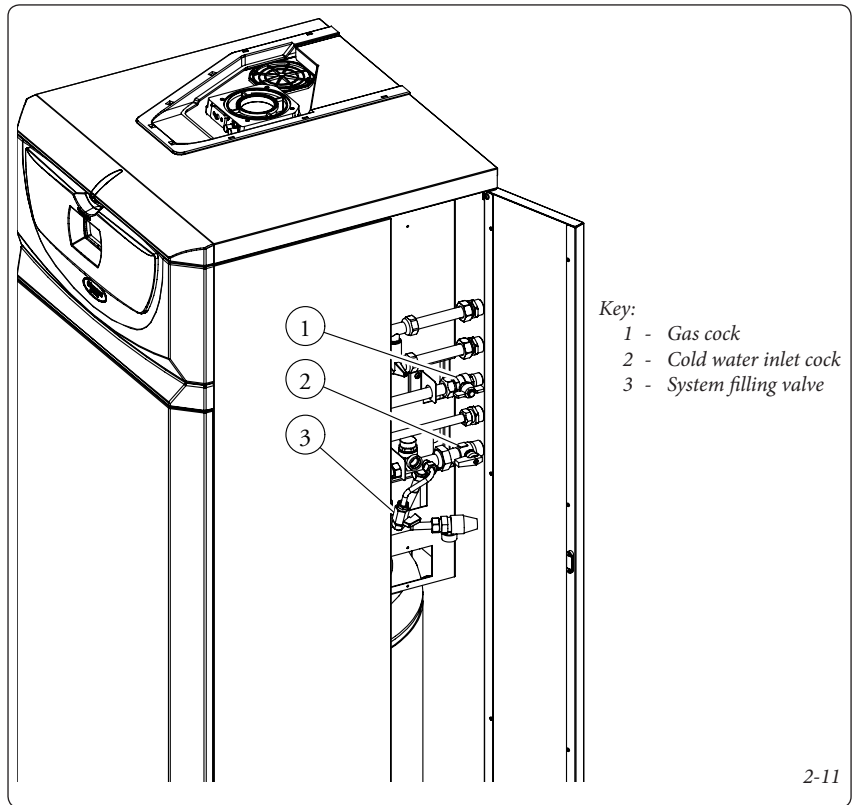
In the event of permanent shutdown of the boiler, contact professional staff for the procedures and ensure that the electrical, water and gas supply lines are shut off and disconnected.

2.14 PARAMETERS, INFORMATION AND ZONES MENU.

By pressing the button "D" it is possible to access a menu divided into four main parts:

- "M1" information
- "M3" customisations
- "M5" configurations: menu reserved to the technician and for which a password is required (See "Maintenance" chapter).
- "M9" settings.

By turning the central heating temperature selector switch (3) scroll through the menu items. By pressing button "D" access the various levels of the menu and the choice of parameters is confirmed. Press button "C" to go back one level.



2-11

"M1" information menu. This menu contains the various information relative to boiler functioning:

1st Level	Button	2nd Level	Button	3rd Level	Button	Description	
M1	D ⇨ ⇨ C	P11	D ⇨			View the management software version of the P.C.B. installed in the boiler	
		P12	⇨ C			View the total functioning hours of the boiler	
		P13				View the number of burner ignitions	
		P14 (with optional external probe present)	D ⇨ ⇨ C	P14/A			View the current external temperature (if optional external probe present)
				P14/B			View the minimum external temperature recorded (if optional external probe present)
				P14/C			View the maximum external temperature recorded (if optional external probe present)
		---			RESET	D x select ⇨ C	By pressing button "D" the MIN and MAX temperatures measured are reset to zero
		P15					No display on this boiler model
		P17					View the speed in instantaneous revs.of the fan
		P18	D ⇨				View the circulator pump instantaneous speed (in %)
		P19	⇨ C				View the last 5 events that caused boiler shutdown. Indicator (6) shows the sequential number from 1 to 5 and on indicator (7) the relative error code. By pressing button "D" repeatedly it is possible to view the functioning time and the number of ignitions at which the anomaly occurred

Customisations Menu “M3”. This menu contains all functioning options that can be customised. (The first item of the various options that appears inside the parameter is that selected by default).

Attention: if the international language is to be restored (**A1**), proceed as follows:
 - press button "D" to access the configuration menu.
 - turn selector "3" to item "**PERSONAL**"
 - press button "D" to confirm.
 - turn selector switch "3" to "**DATI**".
 - press button "D" to confirm.

- turn selector switch "3" to "**LINGUA**".
 - press button "D" to confirm.
 - turn selector switch "3" to "**A1**".
 - press button "D" to confirm.
 At this point the international items indicated in the menu tables appear on the display.

1st Level	Button	2nd Level	Button	3rd Level	Button	4th Level	Button	Description	
M3	D ⇨ ⇨ C	P31	D ⇨	AUTO (Default)	D x select			The display lights up when the burner is ignited and when the controls are accessed, it remains on for 5 seconds after the last operation performed	
			⇨ C	ON	⇨ C			The display is always lit up	
				OFF	⇨ C			The display only lights up when the controls are accessed and remains on for 5 seconds after the last operation performed	
		P32	D ⇨	P32/B	D ⇨	ITALIANO	D x select	All descriptions are given in Italian	
			⇨ C		⇨ C	A1 (Default)	⇨ C	All descriptions are given in alphanumeric format	
		P33	D ⇨	OFF (Default)	D x select				In winter mode, by activating this function it is possible to activate the room central heating function even if the eventual Remote Control or TA are out of service.
			⇨ C	ON	⇨ C				
		RESET	D x select						By pressing button "D" the customisations made are zeroed, restoring factory settings "P31" in "ILL. AUTO" and "P32/B" in "ITALIANO" set
			⇨ C						

Zone Menu “M9”. This menu contains the functioning temperature settings in the mixed zone and additional zone (Optional).

1st Level	Button	2nd Level	Button	Description
M9	D ⇨ ⇨ C	P91	D ⇨	It displays the current temperature of mixed zone 2.
			⇨ C	
		P92	D ⇨	It displays the current temperature of mixed zone 3 (Optional).
			⇨ C	
P93	D ⇨	It defines the flow temperature of mixed zone 2. With external probe (Optional) fitted the flow temperature may be corrected with respect to the operation curve set by the external probe. See OFFSET on external probe graph (Fig. 1-7) changing temperature from -15°C to +15°C.		
	⇨ C			
P94	D x select	It defines the flow temperature of zone number 3 at low temperature (Optional). With external probe (Optional) fitted the flow temperature may be corrected with respect to the operation curve set by the external probe. See OFFSET on external probe graph (Fig. 1-7) changing temperature from -15°C to +15°C.		
	⇨ C			

INSTALLER

USER

MAINTENANCE TECHNICIAN

3 BOILER COMMISSIONING (INITIAL CHECK)

To commission the boiler:

- make sure that the type of gas used corresponds to boiler settings;
- check connection to a 230V-50Hz power mains, correct L-N polarity and the earthing connection;
- make sure the central heating system is filled with water and that the pressure gauge indicates a pressure of 1-1.2 bar.
- check that the the air vent valve cap is open and that the system is well deaerated;

- switch the boiler on and check correct ignition;
- check the Δp gas values in domestic hot water and central heating modes;
- check the CO₂ in the fumes at maximum and minimum flow rate;
- check activation of the safety device in the event of no gas, as well as the relative activation time;
- check the intervention of the main switch located upstream of the boiler and in the boiler;
- check that the intake and/or exhaust terminals are not blocked;
- ensure activation of all adjustment devices;
- seal the gas flow rate regulation devices (if settings are modified);

- check the production of domestic hot water;
- check sealing efficiency of water circuits;
- check ventilation and/or aeration of the installation room where provided.

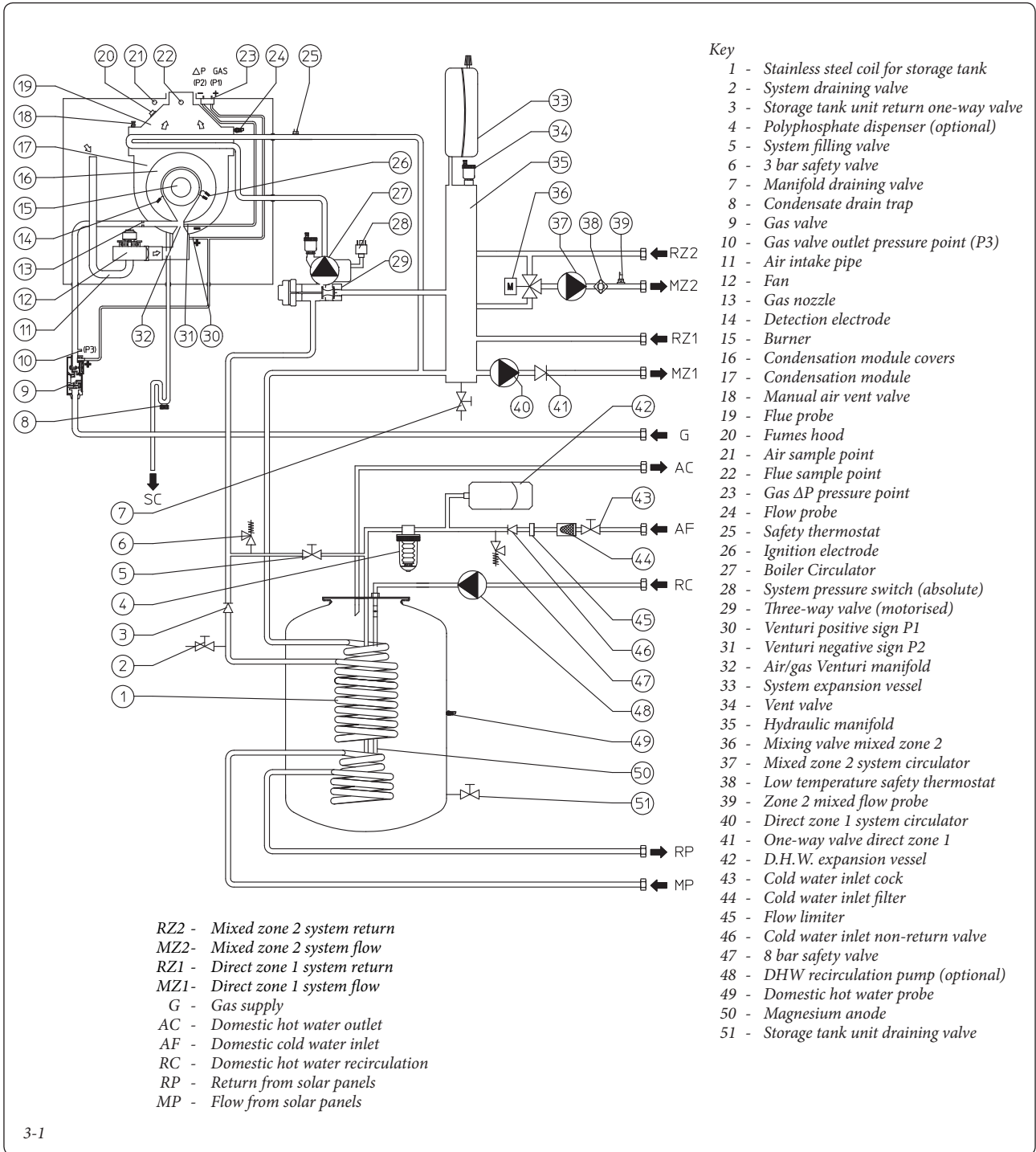
If even only a single safety check offers a negative result, do not commission the system.

Risk of material damage after using sprays and liquids to search for leaks.

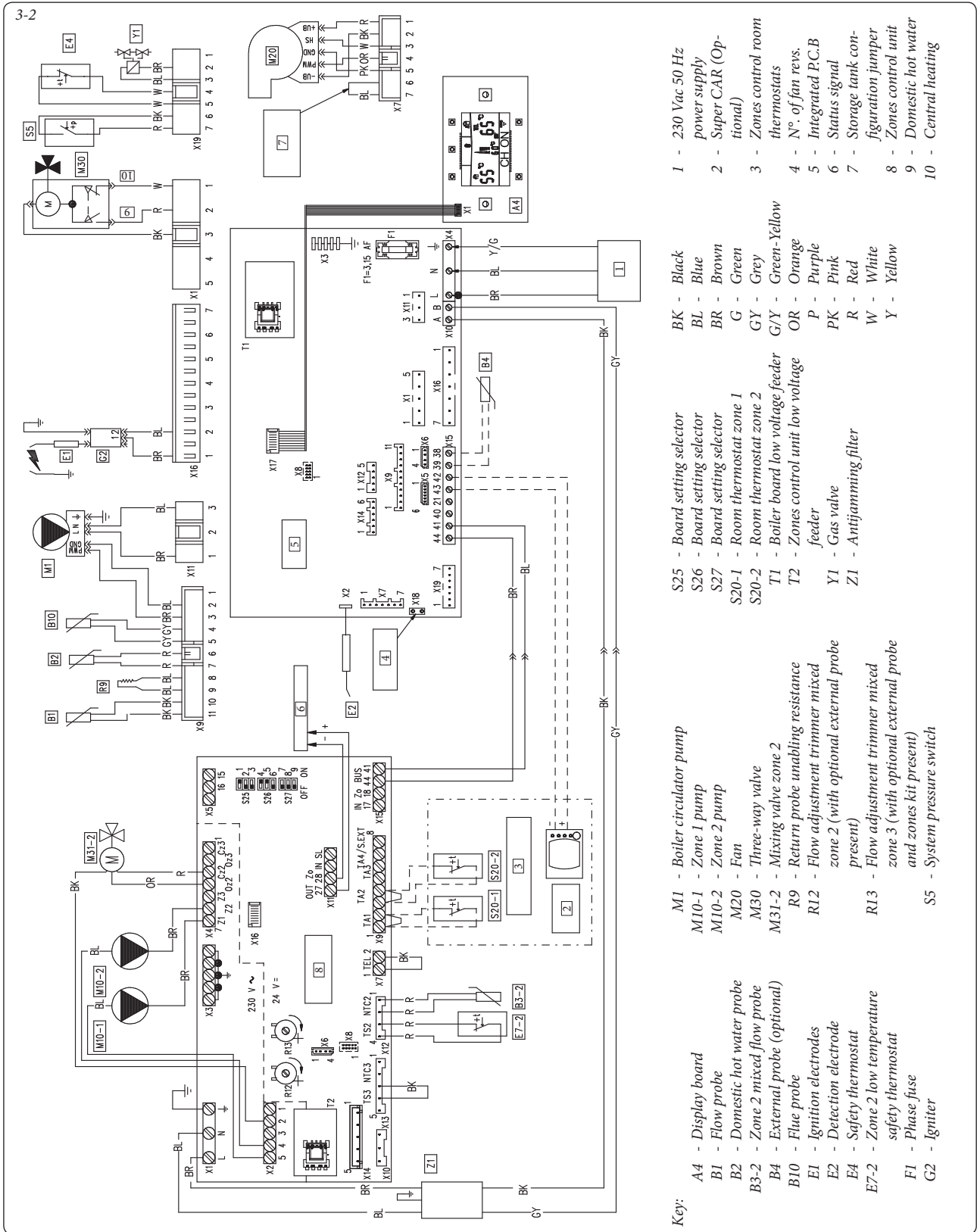
Leak sprays and liquids clog the reference hole PR (Part. 4 Fig. 3-3) of the gas valve, damaging it irreparably.

During installation and maintenance, do not use spray or liquids in the upper area of the gas valve (side referring to the electric connections).

3.1 PLUMBING DIAGRAM.



3.2 WIRING DIAGRAM.



Remote controls: the boiler is designed for use with the Comando Amico Remoto remote control v2 (CAR^{v2}) or alternatively the Super Comando Amico Remoto remote control (Super CAR), which must be connected to clamps 42 and 43 of connector X15 on the P.C.B., observing polarity.

Note: for optimal operation of the boiler, check that the Firmware version of the Super CAR is 1.03 or subsequent.

Room thermostats: the boiler is designed to use the Room Thermostats (S20-1 and S20-2). Connect the room thermostats to connector X9 on the zones management board, terminals 1-2 (S20-1) AND 3-4 (S20-2) eliminating the jumpers present on the connector.

The Super CAR can control the zone set as the main one on the zones management board. In this case the room thermostat corresponding to the main zone must not be connected to connector X9.

The connector X5 is used for the connection to the relay board.

The connector X6 is for connection to a personal computer. Before connecting the computer the communication between the two boiler P.C.B.s must be interrupted by disconnecting the Blue and Brown wires.

The connector X8 is used for software updating operations.

INSTALLER

USER

MAINTENANCE TECHNICIAN

3.3 TROUBLESHOOTING.

N.B.: maintenance operations must be carried out by an authorised company (e.g. Authorised After-Sales Technical Assistance Service).

- Smell of gas. Caused by leakage from gas circuit pipelines. Check sealing efficiency of gas intake circuit.
- Repeated ignition blocks. No gas, check the presence of pressure in the network and that the gas adduction cock is open. Incorrect adjustment of the gas cock, check the correct calibration of the gas valve.
- Irregular combustion or noisiness. It may be caused by: a dirty burner, incorrect combustion parameters, intake-exhaust terminal not correctly installed. Clean the above components and ensure correct installation of the terminal, check correct setting of the gas valve (Off-Set setting) and correct percentage of CO₂ in flue gas.
- Frequent interventions of the overheating safety thermostat. It can depend on the lack of water in the boiler, little water circulation in the system or blocked pump. Check on the manometer that the system pressure is within established limits. Check that the radiator valves are not closed and also the functionality of the pump.
- Drain trap clogged. This may be caused by dirt or combustion products deposited inside. Check, by means of the condensate drain cap, that there are no residues of material blocking the flow of condensate.
- Heat exchanger clogged. This may be caused by the drain trap being blocked. Check, by means of the condensate drain cap, that there are no residues of material blocking the flow of condensate.
- Noise due to air in the system. Check opening of the special air bleeding cap. Make sure the system pressure and expansion vessel pre-charge values are within the set limits; The factory-set pressure values of the expansion vessel must be 1.0 bar, the value of system pressure must be between 1 and 1.2 bar. Check that system filling and air bleeding has been performed according to the requirements.
- Noise due to air inside the condensation module. Use the manual air vent valve (Part. 31 Fig. 1-28) to eliminate any air present in the condensation module. When the operation has been performed, close the manual vent valve.
- Domestic hot water probe faulty. In order to replace the DHW probe, the storage tank does not have to be emptied as the probe is not in direct contact with the DHW inside the storage tank.

3.4 CONVERTING THE BOILER TO OTHER TYPES OF GAS.

If the boiler has to be converted to a different gas type to that specified on the data nameplate, request the relative conversion kit for quick and easy conversion.

The gas conversion operation must be carried out by an authorised company (e.g. Authorised After-Sales Technical Assistance Service).

To convert to another type of gas the following operations are required:

- disconnect the appliance;
- replace the nozzle located between the gas pipe and gas/air mixing sleeve (Part. 16 Fig. 1-28), taking care to disconnect the appliance during this operation;
- re-power the appliance;
- calibrate the number of fan revolutions (parag. 3.5);
- adjust the correct air/gas ratio (parag. 3.6);
- seal the gas flow rate regulation devices (if settings are modified);
- after completing the conversion, apply the sticker, contained in the conversion kit, near the data nameplate. Using an indelible marker pen, delete the data relative to the old type of gas.

These adjustments must be made with reference to the type of gas used, following that given in the table (Par. 3.19).

3.5 CALIBRATION OF NUMBER OF FAN REVS.

Attention: Verification and calibration is necessary, in the case of transformation to other types of gas, in the extraordinary maintenance phase with replacement of the PCB air/gas circuit components or in the case of installations with fume extraction systems, with horizontal concentric pipe measuring more than 1 metre.

The boiler heat output is correlated to the length of the air intake and flue exhaust pipes. This decreases with the increase of pipe length. The boiler leaves the factory adjusted for minimum pipe length (1m). It is therefore necessary, especially in the case of maximum pipe extension, to check the Δp gas values after at least 5 minutes of the burner operating at nominal heat output, when the temperatures of the intake air and exhaust flue gas have stabilised. Adjust the nominal and minimum heat output in the domestic hot water and central heating modes according to the values in the table (Par. 3.19) using the differential manometers connected to the Δp gas pressure points (29 and 30 Fig. 1-28).

Access the configurations menu under the "SERVICE" item and adjust the following parameters (Par. 3.8):

- boiler maximum heat output "P62";
- boiler minimum heat output "P63";
- maximum central heating output "P64";
- minimum central heating output "P65";

Listed below are the default settings featured on the boiler:

P62	G20: 4700 (rpm)	LPG: 4700 (rpm)
P63	G20: 1380 (rpm)	LPG: 1380 (rpm)
P64	G20: 4700 (rpm)	LPG: 4700 (rpm)
P65	G20: 1380 (rpm)	LPG: 1380 (rpm)

3.6 ADJUSTMENT OF THE AIR-GAS RATIO.

Calibration of the minimum CO₂ (minimum central heating power).

Enter the chimney sweep phase without withdrawing domestic hot water and take the selector switches to minimum (turn them in an anti-clockwise direction until "0" is seen on the display). To have an exact value of CO₂ in the flue gas the technician must insert the sampling probe to the bottom of the sample point, then check that the CO₂ value is that specified in the table, otherwise adjust the screw (3 Fig. 3-3) (Off-Set adjuster). To increase the CO₂ value, turn the adjustment screw (3) in a clockwise direction and vice versa to decrease it.

Calibration of the maximum CO₂ (nominal central heating power).

On completion of the adjustment of the minimum CO₂ keeping the chimney sweep function active, take the heating selector switch to maximum (turn it in a clockwise direction until "99" is seen on the display). To have an exact value of CO₂ in the flue gas the technician must insert the sampling probe to the bottom of the sample point, then check that the CO₂ value is that specified in the table, otherwise adjust the screw (12 Fig. 3-3) (gas flow rate regulator).

To increase the CO₂ value, turn the adjustment screw (12) in an anti-clockwise direction and vice versa to decrease it.

At every adjustment variation on the screw 12 it is necessary to wait for the boiler to stabilise itself at the value set (about 30 sec.).

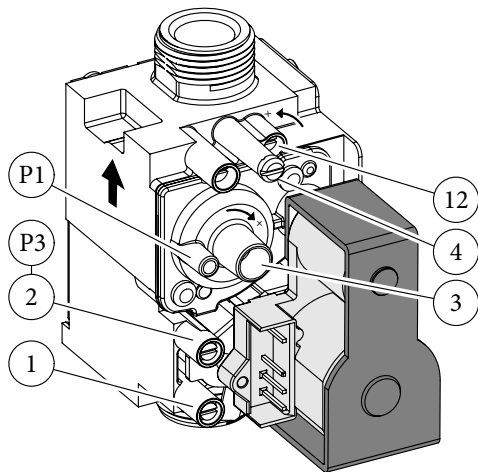
	CO ₂ at nominal output	CO ₂ at minimum output
G 20	9,60% ± 0,5	8,70% ± 0,5
G 30	12,10% ± 0,5	11,30% ± 0,5
G 31	10,70% ± 0,5	10,00% ± 0,5

3.7 CHECKS FOLLOWING CONVERSION TO ANOTHER TYPE OF GAS.

After making sure that conversion was carried out with a nozzle of suitable diameter for the type of gas used and the settings are made at the correct pressure, check that the burner flame is not too high or low and is stable (does not detach from burner);

Note: all boiler adjustment operations must be carried out by a qualified company (e.g. Authorised After-Sales Assistance).

SIT 848 Gas Valve

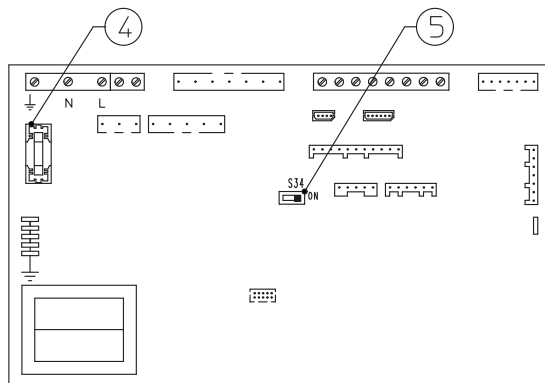


Key:

- 1 - Gas valve inlet pressure point
- 2 - Gas valve outlet pressure point
- 3 - Off/Set adjustment screw
- 4 - Pressure regulator connection (PR)
- 12 - Outlet gas flow rate regulator

3-3

P.C.B.

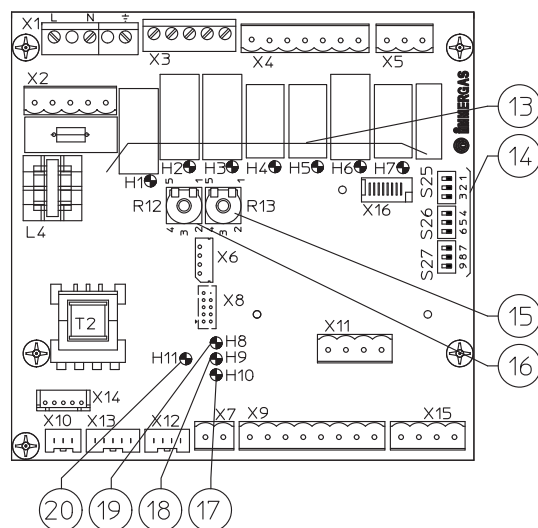


Key:

- 4 - Fuse 3.15 AF
- 5 - S34 Selector:
On = external probe;
Off = system supervisor

3-4

Zones management P.C.B.



Key:

- 13 - Relay functioning signal LED (H1 ÷ H7)
- 14 - Zones management board functioning mode selectors
- 15 - Additional mixed zone flow temperature adjustment trimmer (optional) with external probe
- 16 - Mixed zone flow temperature adjustment trimmer with external probe.
- 17 - Board functioning status signal LED
- 18 - Board functioning status signal LED
- 19 - Board functioning status signal LED
- 20 - Board power supply signal LED

3-5

INSTALLER

USER

MAINTENANCE TECHNICIAN

3.8 PROGRAMMING THE P.C.B.

The boiler is prepared for possible programming of several operation parameters. By modifying these parameters as described below, the boiler can be adapted according to specific needs.

Attention: If the international language is to be restored (A1), see the indications described in Par. 2.14 (Customisations menu M3).

By pressing the button "D" it is possible to access the main menu, divided into three main parts:

- Information "M1" (See "User" Chapter)

- customisations "M3" (See "User" Chapter)

- "M5" configurations, menu reserved for the technician and for which a password is required.

To access programming, press button "D", turn the central heating temperature selector switch (3) and scroll through the menu items until reaching "M5"; press button "D", enter the password and set the parameters according to requirements.

Listed below are the items in the "M5" menu with default parameters and possible options indicated.

By turning the central heating temperature selector switch (3) scroll through the menu items. By pressing button "D" access the various levels of the menu and the choice of parameters is confirmed. Press button "C" to go back one level.

(The first item of the various options that appears inside the parameter is that selected by default).

M5 menu (password must be entered)					
1st Level	2nd Level	Options	Description	Default value	Value set by the technician
P50		25 ÷ 50	Set the boiler power in the ignition stage. The value is in percentage with respect to parameter P62	(See par. 3.5)	
P53		P53 1	Identifies the power of the boiler on which the P.C.B. is installed P53 1 = Not used P53 2 = 26 kW P53 3 = 32 kW	Equal to boiler power	Equal to boiler power
		P53 2			
		P53 3			
P54		P54.1	Display the temperature measured by the probe on the storage tank unit	-	-
		P54.2	Not used	-	-
		P54.3	The value displayed does not affect this model	-	-
		P54.4	Not used on this boiler model	-	-
P55			Displays the central heating flow temperature at which the boiler functions, calculated by the controls active on the system heat adjustment	-	-
SERVICE	P57	AUTO	- DELTA T = 0:proportional head (see parag. 1.23) - DELTA T = 5 ÷ 25 K: constant ΔT (see par. 1.23) Note: after selecting DELTA T adequate to the requirements, maximum (Vmax) and minimum (Vmin) circulating pump speed may be selected (adjustable from 100% to 75%).	AUTO 0	
		FIX	Fixed circulator pump speed (adjustable between 100% and 75%)		
	P62	4000 ÷ 5900	Set the maximum output depending on the domestic hot water, setting the speed of the fan (in RPM)	(See par. 3.5)	
	P63	900 ÷ 1500	Set the minimum output depending on the domestic hot water, setting the speed of the fan (in RPM)	(See par. 3.5)	
	P64	≤ P62	Set the maximum output depending on room heating. The value must be less than or equal to P62	(See par. 3.5)	
	P65	≥ P63	Set the minimum output according to room heating. The value must be greater than or equal to P63	(See par. 3.5)	
	P66	P66/A	Without the external probe (optional) it defines the minimum flow temperature. With the external probe present it defines the minimum flow temperature corresponding to operation with maximum external temperature (see graph Fig. 1-6) (it can be set between 20°C and 50°C) N.B.: to continue one must confirm the parameter (press "D" or exit adjustment "P66" by pressing "C")	20°C	
		P66/B	Without the external probe (optional) it defines the maximum flow temperature. With the external probe present it defines the maximum flow temperature corresponding to operation with minimum external temperature (see graph Fig. 1-6) (it can be set between 50°C and 85°C) N.B.: to continue one must confirm the parameter (press "D" or exit adjustment "P66" by pressing "C")	85°C	
		P66/C	With the external probe present it defines at which minimum external temperature the boiler must operate at the maximum flow temperature (see graph Fig. 1-6) (can be set between -20°C and 0°C) N.B.: to continue one must confirm the parameter (press "D" or exit adjustment "P66" by pressing "C")	-5°C	
		P66/D	With the external probe present it defines at which maximum external temperature the boiler must operate at the minimum flow temperature (see graph Fig. 1-6) (can be set between 5°C and +25°C) N.B.: to continue one must confirm the parameter (press "D" or exit adjustment "P66" by pressing "C")	25°C	

M5 menu (password must be entered)					
1st Level	2nd Level	Options	Description	Default value	Value set by the technician
SERVICE	P67	P67.1	In winter mode the pump is always powered and so functions continuously	P67.2	
		P67.2	In winter mode the pump is managed by the room thermostat or by the remote control		
		P67.3	In winter mode the pump is managed by the room thermostat or by the remote control and by the boiler flow probe		
	P68	0s ÷ 500s	The boiler is set to ignite the burner immediately after a request for central heating. In the case of particular systems (e.g. area systems with motorised thermostatic valves etc.) it could be necessary to delay switch-on	0 seconds	
	P69	0s ÷ 255s	The boiler has an electronic timing device that prevents the burner from igniting too often in the central heating phase.	180 seconds	
	P70	0s ÷ 840s	The boiler performs an ignition ramp to arrive from minimum power to nominal heat output.	180 seconds (3 minutes)	
	P71	P71.1 (-3°C)	Boiler ignition for heating the domestic hot water occurs when the water contained in the storage tank falls by 3°C with respect to the temperature set. Solar function deactivated	P71.1	
		P71.2 (-5°C)	Boiler ignition for heating the domestic hot water occurs when the water contained in the storage tank falls by 5°C with respect to the temperature set. Solar function active, if the input domestic hot water has a sufficient temperature the boiler does not switch on		
	P72	AUTO OFF 09 L/M 12 L/M 15 L/M	This function does not affect the correct functioning of this boiler model.	AUTO	
	RELE1 (optional)	RELE1-0	Relay 1 not used	RELE1-1	
		RELE1-1	In a system divided into zones, relay 1 controls the main zone		
		RELE1-2	The relay signals the intervention of a boiler block (Can be coupled to an external signalling device, not supplied)		
		RELE1-3	The relay signals that the boiler is on and in the heating stage (Can be coupled with an external circulator pump, not supplied)		
		RELE1-4	Controls the opening of an external gas valve in concomitance with an ignition request of the boiler burner		
		RELE1-5	In the event the boiler circulator pump is replaced with a traditional fixed speed circulator pump one must connect the new circulator pump to the relay board.		
	RELE2 (optional)	RELE2-0	Relay 2 not used	RELE2-0	
		RELE2-1	In a system divided into zones, relay 2 controls the secondary zone		
		RELE2-2	The relay signals the intervention of a boiler block (Can be coupled to an external signalling device, not supplied)		
		RELE2-3	The relay signals that the boiler is on and in the heating stage (Can be coupled with an external circulator pump, not supplied)		
		RELE2-4	Controls the opening of an external gas valve in concomitance with an ignition request of the boiler burner		
		RELE2-5	Function not available in this boiler model		
		RELE2-6	In the event the boiler circulator pump is replaced with a traditional fixed speed circulator pump one must connect the new circulator pump to the relay board.		

INSTALLER

USER

MAINTENANCE TECHNICIAN

M5 menu (password must be entered)					
1st Level	2nd Level	Options	Description	Default value	Value set by the technician
	RELE3 (optional)	RELE3-0	Relay 3 not used	RELE3-0	
		RELE3-1	Check the storage tank recirculation pump		
		RELE3-2	The relay signals the intervention of a boiler block (Can be coupled to an external signalling device, not supplied)		
		RELE3-3	The relay signals that the boiler is on and in the heating stage (Can be coupled with an external circulator pump, not supplied)		
		RELE3-4	Controls the opening of an external gas valve in concomitance with an ignition request of the boiler burner		
		RELE3-5	Function not available in this boiler model		
	P76	-15°C ÷ +14°C CE	With S34 = On. If the reading of the external probe is not correct it is possible to correct it in order to compensate any environmental factors With S34 = Off and system supervisor connected set the parameter to maximum until CE value is displayed	0°C	

3.9 ZONES MANAGEMENT BOARD

The zones control unit can be configured using the selector switches on the unit (14 Fig. 3-5) via which you can choose between the following options:

	n°	OFF	ON
S25	1	Homogeneous zones control	Mixed zones control
	2	N° 1 mixed zone (Z2)	N° 2 mixed zones (Z2 and Z3)
	3	Master board	Slave board
S26	4	Main zone = zone 1	Main zone = zone 2
	5	Super CAR: main zone flow control	Super CAR: system flow control
	6	Mixed zones max. temperature = 50°C	Mixed zones max. temperature = 75°C
S27	7	Normal functioning	Multizone recognition state
	8	Not used	Not used
	9	Mixed zones minimum temperature = 25°C	Mixed zones minimum temperature = 35°C

Note: the default settings are highlighted in bold.

- S26 (6) in the event of the setting with max. flow temperature of 75°C, the relative safety thermostat must be replaced with the one suitable for supporting this temperature.

Warnings. Various LEDs are present on the board to display the functioning status and to indicate any anomalies.

The LEDs from 1 to 7 (13 Fig. 3-5) identify the activation of the relative relay:

- LED H1 Direct zone 1 activation.
- LED H2 mixed zone 2 activation.
- LED H3 mixed zone 3 activation (optional).
- LED H4 mixer opening mixed zone 2.
- LED H5 mixer closing mixed zone 2.
- LED H6 mixer opening mixed zone 3 (optional).
- LED H7 mixer closing mixed zone 3 (optional).

The LED H11 signals that the zones management board is powered.

LEDs 8 and 9 indicate the functioning status of the board:

Warning	H8	H9	H10
CH request presence	ON	OFF	OFF
Disabling of active zones	ON L	OFF	OFF
Mixed zone 2 safety thermostat intervention	OFF	ON	OFF
Mixed zone 2 probe fault	OFF	ON L	OFF
Mixed zone 3 safety thermostat intervention	OFF	OFF	ON
Mixed zone 3 probe fault	OFF	OFF	ON L
Bus IMG anomaly	OFF	ON A	ON A
IMG communication present	OFF	OFF	ON F

Key:
 ON = ON
 OFF = OFF
 ON L = Slow flashing (0.6 s on, 0.6 s off)
 ON V = Fast flashing (0.3 s on, 0.3 s off)
 ON F = Flash flashing (0.2 s on, 1 s off)
 ON A = Alternate flashing

3.10 "CHIMNEY SWEEP" FUNCTION.

If this function is activated it takes boiler functioning to the adjustable power of the central heating selector switch.

In this state all adjustments are excluded and only the safety thermostat and the limit thermostat remain active. To activate the chimney sweep function press the Reset button "C" for 8 to 15 seconds in absence of domestic hot water and heating requests. Its activation is signalled by the relative symbol (22 Fig. 2-1). This function allows the technician to check the combustion parameters. After the checks deactivate the function, switching the boiler off and then on again using the Stand-by button.

3.11 PUMP ANTI-BLOCK FUNCTION.

The boiler has a function that starts the pump at least once every 24 hours for the duration of 30 seconds in order to reduce the risk of the pump becoming blocked due to prolonged inactivity.

3.12 THREE-WAY ANTI-BLOCK FUNCTION.

Both in "domestic hot water" and in "domestic hot water-central heating" phase the boiler is equipped with a function that starts the three-way motorised group 24 hours after it was last in operation, running it for a full cycle so as to reduce the risk of the three-way group becoming blocked due to prolonged inactivity.

3.13 RADIATORS ANTIFREEZE FUNCTION.

If the system return water is close to freezing, the boiler starts up until it reaches a safety temperature.

3.14 P.C.B. PERIODICAL SELF-CHECK.

During functioning in central heating mode or with boiler in standby, the function activates every 18 hours after the last boiler check/power supply. In case of functioning in domestic hot water mode the self-check starts within 10 minutes after the end of the withdrawing in progress, for duration of approx. 10 seconds.

N.B.: during self-check, the boiler remains off.

3.15 AUTOMATIC VENT FUNCTION.

In the case of new central heating systems and in particular mode for floor systems, it is very important that deaeration is performed correctly. To activate function "F8" press buttons "A and B" at the same time (Fig. 2-1) for 5 seconds with the boiler in stand-by. The function consists of the cyclic activation of the pump (100 s ON, 20 s OFF) and the 3-way valve (120 s domestic hot water, 120 s central heating). The function ends after 18 hours or by switching the boiler on using the ignition button "🔥".

3.16 SOLAR PANELS COUPLING FUNCTION.

Attention: to install the kit (solar panels) correctly, you must move the DHW probe (26 Fig. 1-28), in the upper seat of the storage tank.

The boiler is set-up to receive pre-heated water from a solar panels system up to a maximum temperature of 65 °C. In any case, it is always necessary to install a mixing valve on the hydraulic circuit upstream of the boiler. Set the "P71" function on "P71.1" (Par. 3.8).

When the boiler inlet water temperature is equal to or greater than that set by the domestic hot water selector switch "SET", the boiler does not switch on.

3.17 YEARLY APPLIANCE CHECK AND MAINTENANCE.

The following checks and maintenance should be performed at least once a year.

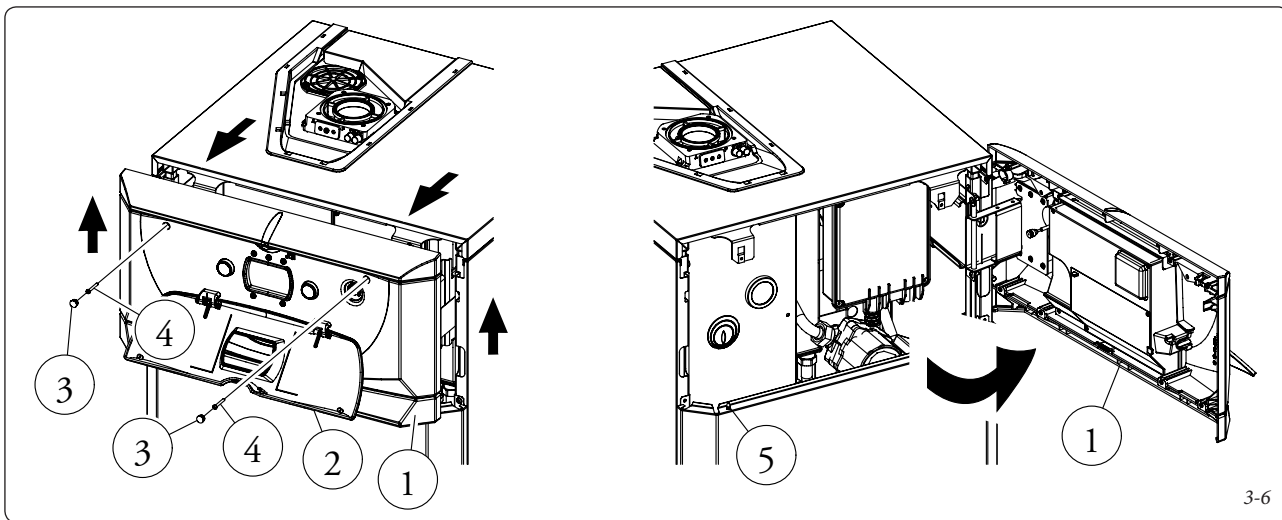
- Clean the flue side of the heat exchanger.
- Clean the main burner.
- If deposits are detected in the combustion chamber they must be removed and the heat exchanger coils must be cleaned using nylon or broomcorn brushes; it is forbidden to use brushes made of metal or other materials that may damage the combustion chamber.
- Check the integrity of the insulating panels inside the combustion chamber and if damaged replace them.
- Visually check for water leaks or oxidation from/on fittings and traces of condensate residues inside the sealed chamber.
- Check contents of the condensate drain trap.
- Via the condensate drain cap check that there are no residues of material that clog condensate passage; also check that the entire condensate drain circuit is clear and efficient.

In the event of obstructions (dirt, sediment, etc.) with consequent leakage of condensate in the combustion chamber, one must replace the insulating panels.

- Check that the burner seal gaskets and the lid are intact and perfectly efficient, otherwise replace them. In any case the gaskets must be replaced at least every two years, regardless of their state of wear.
- Check that the burner is intact, that it has no deformations or cuts and that it is properly fixed to the combustion chamber lid; otherwise it must be replaced.
- Visually check that the water safety valves drain is not blocked.
- Check, after discharging the system pressure and bringing it to zero (read on boiler pressure gauge), that the expansion vessel charge is at 1.0 bar.
- Check that the domestic hot water expansion vessel charge is at a pressure between 3 and 3.5 bar.
- Check that the system static pressure (with system cold and after refilling the system by means of the filling cock) is between 1 and 1.2 bar.

- Visually check that the safety and control devices have not been tampered with and/or shorted, in particular:
 - temperature safety thermostat;
 - system pressure switch.
- Check integrity of the boiler Magnesium anode.
- Check the condition and integrity of the electrical system and in particular:
 - supply voltage cables must be inside the fairleads;
 - there must be no traces of blackening or burning.
- Check ignition and operation.
- Check correct calibration of the burner in domestic hot water and central heating phases.
- Check the operation of the appliance control and adjustment devices and in particular:
 - intervention of the main electrical switch on the boiler;
 - system control thermostat intervention;
 - domestic hot water control thermostat intervention.
- Check sealing efficiency of the gas circuit and the internal system.
- Check the intervention of the device against no gas ionisation flame control. The relative intervention time must be less than 10 seconds.

N.B.: in addition to yearly maintenance, one must also check the thermal system, with frequency and procedures that comply with the indications of the technical regulations in force.

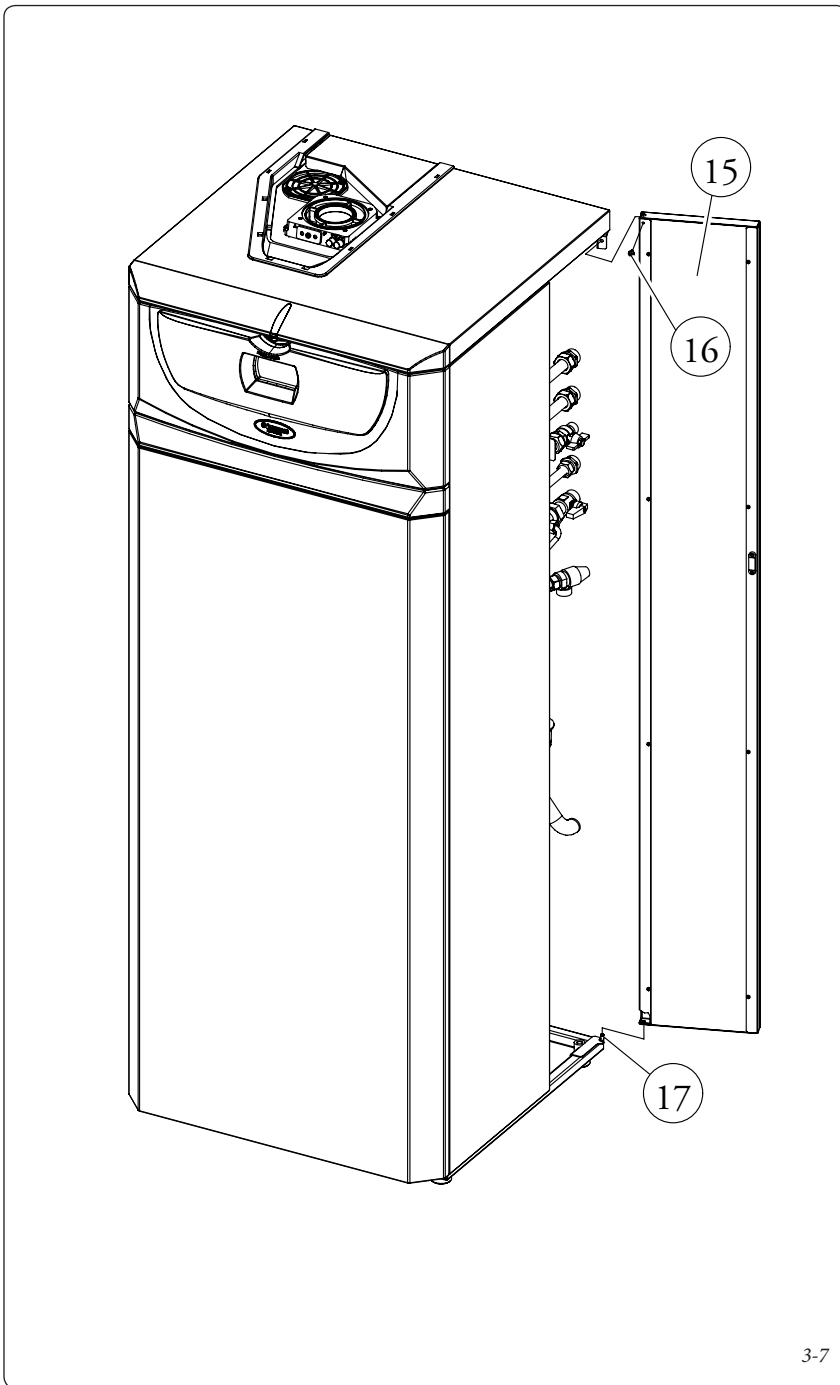


3-6

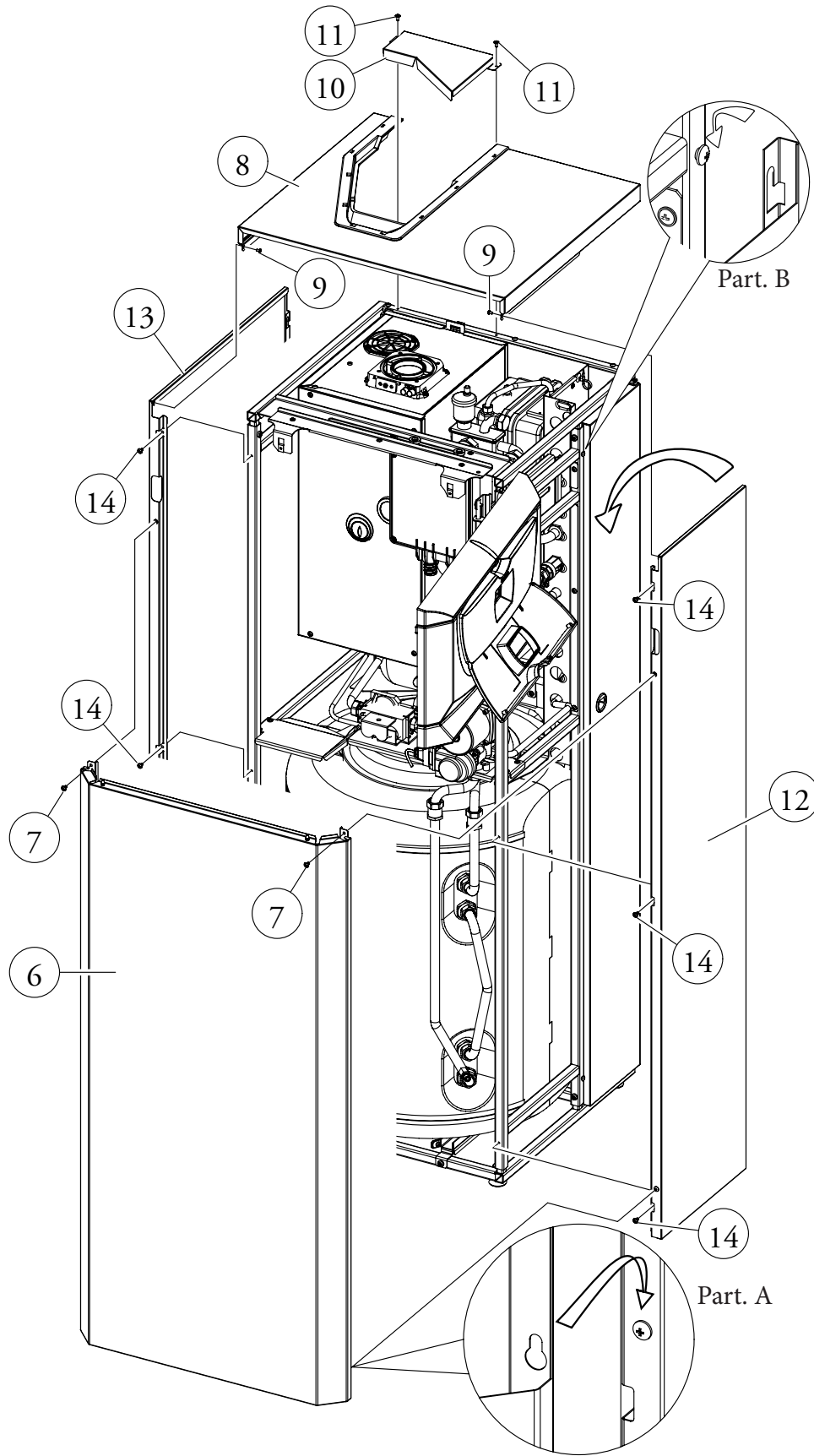
3.18 CASING REMOVAL.

To facilitate boiler maintenance the casing can be completely removed as follows:

- Control panel opening (1) (Fig. 3-6).
 - Open the door (2) by pressing it in the centre to make it swing.
 - Remove the rubber protection caps (3) and loosen the two screws (4).
 - Lift the control panel, gripping it at the sides to make it exit from the fixing pins (5).
 - After which, pull the control panel towards yourself and turn it as shown in the figure.
- Side door disassembly (Fig. 3-7).
 - Open the door (15) making it turn by at least 90° outwards.
 - Remove the screw (16) in the top corner of the door (15).
 - Release the door (15) from the bracket just released from the screw (16) bending it outwards and sliding it off of the lower pin (17).
- Casing disassembly (Fig. 3-8).
 - undo the front screws (7), push the front slightly upwards (6) in order to free it from the lower fixing slots and pull it towards yourself (detail A);
 - remove the front half-cover (8) loosening the internal screws (9), pull the cover towards yourself to release it from the screws with end stop positioned in the rear and then lift the cover.
 - remove the rear half-cover (10) (not indispensable) by loosening the two screws (11).
 - remove the two casing sides (12 and 13) loosening the screws (14) (3 for each side). After that, push slightly up in order to release the side from its housing and pull it outwards (part. B).



3-7



3.19 VARIABLE HEAT OUTPUT.

N.B.: the pressures indicated in the table represent the differences of pressures at the ends of the Venturi mixer and can be measured from the pressure points in the upper part of the sealed

chamber (see pressure test 29 and 30 Fig. 1-28). The adjustments must be made with a digital differential pressure gauge with scale in tenths of a mm or Pascal. The power data in the table has been obtained with an intake-exhaust pipe

measuring 0.5 m in length. Gas flow rates refer to the lower calorific value at a temperature of 15°C and at a pressure of 1013 mbar. The burner pressure values refer to the use of gas at a temperature of 15°C.

		METHANE (G20)			BUTANE (G30)			PROPANE (G31)		
THERMAL POWER	THERMAL POWER	BURNER GAS FLOW RATE	PRESS. BURNER NOZZLES		BURNER GAS FLOW RATE	PRESS. BURNER NOZZLES		BURNER GAS FLOW RATE	PRESS. BURNER NOZZLES	
(kW)	(kcal/h)	(m ³ /h)	(mbar)	(mm H ₂ O)	(kg/h)	(mbar)	(mm H ₂ O)	(kg/h)	(mbar)	(mm H ₂ O)
32,0	27520	3,49	1,94	19,8	2,61	2,30	23,5	2,57	2,59	26,4
31,0	26660	3,38	1,85	18,9	2,53	2,17	22,2	2,48	2,45	25,0
30,0	25800	3,27	1,76	17,9	2,44	2,05	20,9	2,40	2,32	23,6
29,0	24940	3,16	1,67	17,1	2,36	1,94	19,8	2,32	2,19	22,3
28,0	24053	3,05	1,58	16,2	2,27	1,82	18,6	2,24	2,06	21,0
27,0	23220	2,94	1,50	15,3	2,20	1,71	17,5	2,16	1,94	19,8
26,0	22360	2,83	1,42	14,5	2,11	1,61	16,4	2,08	1,82	18,6
25,0	21500	2,72	1,34	13,7	2,03	1,51	15,4	2,00	1,71	17,4
24,0	20640	2,62	1,26	12,9	1,95	1,41	14,4	1,92	1,60	16,3
23,0	19780	2,51	1,19	12,1	1,87	1,31	13,4	1,84	1,49	15,2
22,0	18920	2,40	1,11	11,3	1,79	1,22	12,5	1,76	1,39	14,2
21,0	18060	2,29	1,04	10,6	1,71	1,13	11,6	1,68	1,29	13,2
20,0	17200	2,19	0,96	9,8	1,63	1,05	10,7	1,60	1,19	12,2
19,0	16340	2,08	0,89	9,1	1,55	0,97	9,9	1,53	1,10	11,2
18,0	15480	1,97	0,82	8,4	1,47	0,89	9,1	1,45	1,01	10,3
17,0	14620	1,86	0,76	7,7	1,39	0,81	8,3	1,37	0,93	9,5
16,0	13760	1,76	0,69	7,0	1,31	0,74	7,6	1,29	0,84	8,6
15,0	12900	1,65	0,62	6,4	1,23	0,67	6,9	1,21	0,77	7,8
14,0	12040	1,54	0,56	5,7	1,15	0,61	6,2	1,13	0,69	7,0
13,0	11180	1,43	0,50	5,1	1,07	0,55	5,6	1,05	0,62	6,3
12,0	10320	1,33	0,44	4,4	0,99	0,49	5,0	0,97	0,55	5,6
11,0	9460	1,22	0,37	3,8	0,91	0,43	4,4	0,89	0,48	4,9
10,0	8600	1,11	0,32	3,2	0,83	0,38	3,8	0,82	0,42	4,2
9,0	7740	1,00	0,26	2,6	0,75	0,33	3,3	0,74	0,36	3,6
8,0	6880	0,89	0,20	2,1	0,67	0,28	2,8	0,66	0,30	3,1
7,0	6020	0,78	0,15	1,5	0,58	0,23	2,4	0,58	0,25	2,5
6,9	5934	0,77	0,14	1,4	0,58	0,23	2,3	0,57	0,24	2,4

3.20 COMBUSTION PARAMETERS.

		G20	G30	G31
Supply pressure	mbar (mm H ₂ O)	20 (204)	29 (296)	37 (377)
Gas nozzle diameter	mm	WITHOUT	5,75	6.00
Flue flow rate at nominal heat output	kg/h (g/s)	51 (14,17)	47 (13,06)	52 (14,44)
Flue flow rate at min heat output	kg/h (g/s)	12 (3,33)	11 (3,06)	12 (3,33)
CO ₂ at Q. Nom./Min.	%	9,60 / 8,70	12,10 / 11,30	10,70 / 10,00
CO with 0% O ₂ at Nom./Min. Q. Nom./Min.	ppm	204 / 5	563 / 11	197 / 8
NO _x at 0% of O ₂ at Q. Nom./Min.	mg / kWh	72 / 20	188 / 66	59 / 27
Flue temperature at nominal output	°C	75	82	76
Flue temperature at minimum output	°C	63	70	64
Max air combustion temperature	°C	50	50	50

Combustion parameters: measuring conditions of useful efficiency (flow temperature/return temperature= 80/60 °C), ambient temperature reference = 15°C.

3.21 TECHNICAL DATA.

Domestic hot water nominal heat input	kW (kcal/h)	33,0 (28400)
Central heating nominal heat input	kW (kcal/h)	33,0 (28400)
Minimum heat input	kW (kcal/h)	7,3 (6279)
Domestic hot water nominal heat output (useful)	kW (kcal/h)	32,0 (27520)
Central heating nominal heat output (useful)	kW (kcal/h)	32,0 (27520)
Minimum heat output (useful)	kW (kcal/h)	6,9 (5934)
*Effective thermal efficiency 80/60 Nom./Min.	%	96,9 / 94,5
*Effective thermal efficiency 50/30 Nom./Min.	%	104,7 / 105,8
*Effective thermal efficiency 40/30 Nom./Min.	%	107,3 / 107,3
Casing losses with burner On/Off (80-60°C)	%	0,80 / 0,20
Heat loss at flue with burner On/Off (80-60°C)	%	0,02 / 2,90
Central heating circuit max. operating pressure	bar	3
Maximum heating temperature	°C	90
Max. adjustable central heating temperature	°C	25 - 85
Min. adjustable central heating temperature	°C	25 - 50
System expansion vessel total volume	l	10,8
Heating expansion vessel pre-charge	bar	1,0
Total volume domestic hot water expansion vessel	l	4,1
Domestic hot water expansion vessel pre-charge	bar	3,5
Appliance water content	l	6,7
Head available with 1000 l/h flow rate in direct zone	kPa (m H ₂ O)	28,8 (2,94)
Head available with 1000 l/h flow rate in mixed zone	kPa (m H ₂ O)	35,0 (3,57)
Hot water production useful heat output	kW (kcal/h)	32,0 (27520)
Domestic hot water adjustable temperature	°C	10 - 60
Domestic hot water circuit min. pressure (dynamic)	bar	0,3
Domestic hot water circuit max. operating pressure	bar	8,0
Flow rate capacity in continuous duty (ΔT 30°C)	l/min	16,0
Domestic hot water performance classification according to N 13203-1		★★★
Weight of full boiler	kg	254
Weight of empty boiler	kg	127,9
Electrical connection	V/Hz	230 / 50
Nominal power absorption	A	1,16
Installed electric power	W	168
Boiler circulating pump absorbed power	W	58
EEl value	-	≤ 0,21 - Part. 2
Zone pump absorbed power	W	2 x 37
EEl value	-	≤ 0,21 - Part. 2
Fan power absorbed power	W	28
Equipment electrical system protection	-	IPX5D
Max temperature of combustion products	°C	75
NO _x class	-	6
Weighted NO _x	mg/kWh	33
Weighted CO	mg/kWh	18
Type of appliance	C13 / C33 / C43 / C53 / C83 / C93 / B33 / B53p	
Category	II 2H3P - I 3P	

INSTALLER

USER

MAINTENANCE TECHNICIAN

- The data relevant to domestic hot water performance refer to a dynamic inlet pressure of 2 bar and an inlet temperature of 15°C; the values are measured directly at the boiler outlet considering that to obtain the data declared mixing with cold water is necessary.

- * Yields refer to the lower heating value.

3.22 KEY FOR DATA NAMEPLATE.

Md		Cod. Md	
Sr N°	CHK	Cod. PIN	
Type			
Q _{nw} /Q _n min.	Q _{nw} /Q _n max.	P _n min.	P _n max.
PMS	PMW	D	TM
NO _x Class			
		CONDENSING	

N.B.: the technical data is provided on the data plate on the boiler

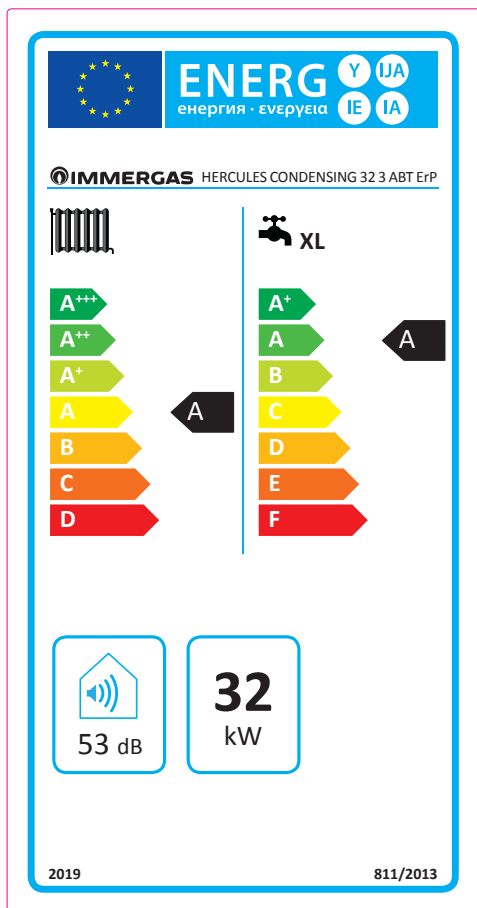
	ENG
Md	Model
Cod. Md	Model code
Sr N°	Serial Number
CHK	Check
Cod. PIN	PIN code
Type	Type of installation (ref. CEN TR 1749)
Q _{nw} min.	Minimum DHW heat input
Q _n min.	CH minimum heat input
Q _{nw} max.	DHW maximum heat input
Q _n max.	CH maximum heat input
P _n min.	Minimum heat output
P _n max.	Maximum heat output
PMS	Maximum system pressure
PMW	Maximum domestic hot water pressure
D	Specific flow rate
TM	Maximum operating temperature
NO _x Class	NO _x Class
CONDENSING	Condensing boiler

3.23 TECHNICAL PARAMETERS FOR MIXED BOILERS (IN COMPLIANCE WITH REGULATION 813/2013).

The yields in the following tables refer to the higher heating value.

Model/s:				Hercules Condensing ABT 32 3 ErP				
Condensing Boilers:				SI				
Low temperature boiler:				NO				
Boiler type B1:				NO				
Co-generation appliance for central heating:				NO		Fitted with supplementary heating system:		NO
Mixed heating appliance:				SI				
Element	Symbol	Value	Unit	Element	Symbol	Value	Unit	
Nominal heat output	P_n	32	kW	Seasonal energy efficiency of central heating	η_s	92	%	
For central heating only and mixed boilers: useful heat output				For central heating only and mixed boilers: useful efficiency				
At nominal heat output in high temperature mode (*)	P_4	32,0	kW	At nominal heat output in high temperature mode (*)	η_4	87,2	%	
At 30% of nominal heat output in a low temperature mode (**)	P_1	10,6	kW	At 30% of nominal heat output in a low temperature mode (**)	η_1	96,7	%	
Auxiliary electricity consumption				Other items				
At full load	el_{max}	0,031	kW	Heat loss in standby	P_{stby}	0.175	kW	
At partial load	el_{min}	0,014	kW	Ignition burner energy consumption	P_{ign}	0.000	kW	
In standby mode	P_{SB}	0,005	kW	Emissions of nitrogen oxides	NO_x	47	mg / kWh	
For mixed central heating appliances								
Stated load profile		XL		Domestic hot water production efficiency	η_{wh}	80	%	
Daily electrical power consumption	Q_{dec}	0.270	kWh	Daily gas consumption	Q_{fuel}	24,492	kWh	
Contact information	IMMERGAS S.p.A. VIA CISA LIGURE, 95 - 42041 BRESCELLO (RE) ITALY							
(*) High temperature mode means 60°C on return and 80°C on flow.								
(**) Low temperature mode for condensation Boilers means 30°C , for low temperature boilers 37°C and for other appliances 50°C of return temperature.								

3.24 PRODUCT DATA SHEET (IN COMPLIANCE WITH REGULATION 811/2013).



Parameter	value
Yearly energy consumption for the heating function (Q_{HE})	61,2 GJ
Yearly electricity consumption for the domestic hot water function (AEC)	59 kWh
Yearly fuel consumption for the domestic hot water function (AFC)	18 GJ
Seasonal room heating yield (η_s)	92 %
Domestic hot water production yield (η_{wh})	80 %

For proper installation of the appliance refer to chapter 1 of this booklet (for the installer) and current installation regulations. For proper maintenance refer to chapter 3 of this booklet (for the maintenance technician) and adhere to the frequencies and methods set out herein.

3.25 PARAMETERS FOR FILLING IN THE ASSEMBLY SHEET.

In case you should wish to install an assembly, starting from the Hercules Condensing ABT 32 3 ErP boiler, use the assembly charts in fig. 3-11 and 3-14.

For correctly filling in, enter the figures shown in tables fig. 3-10 and 3-13 (as shown in the facsimile assembly sheet fig. 3-9 and 3-12).

The remaining values must be obtained from the technical data sheets of the products used to make up the assembly (e.g. solar devices, integration heat pumps, temperature controllers). Use sheet fig. 3-11 for “assemblies” related to the heating function (e.g.: boiler + temperature controller).

Use sheet fig. 3-14 for “assemblies” related to the domestic hot water function (e.g.: boiler + solar thermal system).

Facsimile for filling in room heating system assembly chart.

Seasonal space heating energy efficiency of boiler	1 <input type="text" value="'I'"/> %																														
Temperature control From fiche of temperature control	2 + <input type="text"/> %																														
<div style="border: 1px solid black; padding: 5px; width: fit-content; margin: 0 auto;"> Class I = 1 %, Class II = 2 %, Class III = 1.5 %, Class IV = 2 %, Class V = 3 %, Class VI = 4 %, Class VII = 3.5 %, Class VIII = 5 % </div>																															
Supplementary boiler From fiche of boiler	3 = ± <input type="text"/> %																														
<div style="border: 1px solid black; padding: 5px; width: fit-content; margin: 0 auto;"> Seasonal space heating energy efficiency (in %) </div>																															
$(\text{ } - \text{'I'}) \times 0.1 = \pm \text{ } \%$																															
Solar contribution																															
From fiche of solar device	4 = + <input type="text"/> %																														
<div style="display: flex; justify-content: space-around; align-items: flex-start;"> <div style="border: 1px solid black; padding: 5px; text-align: center;"> Collector size (in m²) </div> <div style="border: 1px solid black; padding: 5px; text-align: center;"> Tank volume (in m³) </div> <div style="border: 1px solid black; padding: 5px; text-align: center;"> Collector efficiency (in %) </div> <div style="border: 1px solid black; padding: 5px; text-align: center;"> Tank rating A* = 0.95, A = 0.91, B = 0.86, C = 0.83, D-G = 0.81 </div> </div>																															
$(\text{'III'} \times \text{ } + \text{'IV'} \times \text{ }) \times (0.9 \times (\text{ } / 100) \times \text{ } = + \text{ } \%$																															
Supplementary heat pump From fiche of heat pump	5 = + <input type="text"/> %																														
<div style="border: 1px solid black; padding: 5px; width: fit-content; margin: 0 auto;"> Seasonal space heating energy efficiency (in %) </div>																															
$(\text{ } - \text{'I'}) \times \text{'II'} = + \text{ } \%$																															
Solar contribution and Supplementary heat pump																															
Select smaller value	6 = - <input type="text"/> %																														
$0.5 \times \text{ } \text{ OR } 0.5 \times \text{ } = - \text{ } \%$																															
7 <input type="text"/> %																															
Seasonal space heating energy efficiency of package																															
Seasonal space heating energy efficiency class of package																															
<div style="border: 1px solid black; padding: 10px; width: fit-content; margin: 0 auto;"> <table style="width: 100%; text-align: center; border-collapse: collapse;"> <tr> <td style="border: 1px solid black; width: 20px; height: 20px; margin: 2px;"></td> <td style="border: 1px solid black; width: 20px; height: 20px; margin: 2px;"></td> <td style="border: 1px solid black; width: 20px; height: 20px; margin: 2px;"></td> <td style="border: 1px solid black; width: 20px; height: 20px; margin: 2px;"></td> <td style="border: 1px solid black; width: 20px; height: 20px; margin: 2px;"></td> <td style="border: 1px solid black; width: 20px; height: 20px; margin: 2px;"></td> <td style="border: 1px solid black; width: 20px; height: 20px; margin: 2px;"></td> <td style="border: 1px solid black; width: 20px; height: 20px; margin: 2px;"></td> <td style="border: 1px solid black; width: 20px; height: 20px; margin: 2px;"></td> <td style="border: 1px solid black; width: 20px; height: 20px; margin: 2px;"></td> </tr> <tr> <td style="font-weight: bold; font-size: 1.2em;">G</td> <td style="font-weight: bold; font-size: 1.2em;">F</td> <td style="font-weight: bold; font-size: 1.2em;">E</td> <td style="font-weight: bold; font-size: 1.2em;">D</td> <td style="font-weight: bold; font-size: 1.2em;">C</td> <td style="font-weight: bold; font-size: 1.2em;">B</td> <td style="font-weight: bold; font-size: 1.2em;">A</td> <td style="font-weight: bold; font-size: 1.2em;">A⁺</td> <td style="font-weight: bold; font-size: 1.2em;">A⁺⁺</td> <td style="font-weight: bold; font-size: 1.2em;">A⁺⁺⁺</td> </tr> <tr> <td style="font-size: 0.8em;">< 30 %</td> <td style="font-size: 0.8em;">≥ 30 %</td> <td style="font-size: 0.8em;">≥ 34 %</td> <td style="font-size: 0.8em;">≥ 36 %</td> <td style="font-size: 0.8em;">≥ 75 %</td> <td style="font-size: 0.8em;">≥ 82 %</td> <td style="font-size: 0.8em;">≥ 90 %</td> <td style="font-size: 0.8em;">≥ 98 %</td> <td style="font-size: 0.8em;">≥ 125 %</td> <td style="font-size: 0.8em;">≥ 150 %</td> </tr> </table> </div>												G	F	E	D	C	B	A	A ⁺	A ⁺⁺	A ⁺⁺⁺	< 30 %	≥ 30 %	≥ 34 %	≥ 36 %	≥ 75 %	≥ 82 %	≥ 90 %	≥ 98 %	≥ 125 %	≥ 150 %
G	F	E	D	C	B	A	A ⁺	A ⁺⁺	A ⁺⁺⁺																						
< 30 %	≥ 30 %	≥ 34 %	≥ 36 %	≥ 75 %	≥ 82 %	≥ 90 %	≥ 98 %	≥ 125 %	≥ 150 %																						
Boiler and supplementary heat pump installed with low temperature heat emitters at 35°C?																															
From fiche of heat pump	7 <input type="text"/> + (50 × 'II') = <input type="text"/> %																														
<p><i>The energy efficiency of the package of products provided for in this fiche may not correspond to its actual energy efficiency once installed in a building, as the efficiency is influenced by further factors such as heat loss in the distribution system and the dimensioning of the products in relation to building size and characteristics.</i></p>																															

Fig. 3-9

Parameters for filling in assembly chart.

Parameter	Hercules Condensing ABT 32 3 ErP
'I'	91
'II'	*
'III'	0.84
'IV'	0.33

* to be established by means of table 5 of Regulation 811/2013 in case of "assembly" including a heat pump to integrate the boiler. In this case the boiler must be considered as the main appliance of the assembly.

Fig. 3-10

Room heating system assembly chart.

Seasonal space heating energy efficiency of boiler ① %

Temperature control ② %
 From fiche of temperature control

Class I = 1 %, Class II = 2 %,
 Class III = 1.5 %, Class IV = 2 %,
 Class V = 3 %, Class VI = 4 %,
 Class VII = 3.5 %, Class VIII = 5 %

Supplementary boiler ③ %
 From fiche of boiler

Seasonal space heating energy efficiency (in %)

$$(\text{ } - \text{ }) \times 0,1 = \pm \text{ } \%$$

Solar contribution ④ %
 From fiche of solar device

Collector size (in m²)

Tank volume (in m³)

Collector efficiency (in %)

Tank rating
A* = 0.95, A = 0.91,
B = 0.86, C = 0.83,
D-G = 0.81

$$(\text{ } \times \text{ } + \text{ } \times \text{ }) \times (0,9 \times \text{ } / 100) \times \text{ } = \pm \text{ } \%$$

Supplementary heat pump ⑤ %
 From fiche of heat pump

Seasonal space heating energy efficiency (in %)

$$(\text{ } - \text{ }) \times \text{ } = + \text{ } \%$$

Solar contribution and Supplementary heat pump ⑥ %

Select smaller value $0,5 \times \text{ } \text{ OR } 0,5 \times \text{ } = - \text{ } \%$

Seasonal space heating energy efficiency of package ⑦ %

Seasonal space heating energy efficiency class of package

<input type="checkbox"/>	<input type="checkbox"/>	<input type="checkbox"/>	<input type="checkbox"/>	<input type="checkbox"/>	<input type="checkbox"/>	<input type="checkbox"/>	<input type="checkbox"/>	<input type="checkbox"/>	<input type="checkbox"/>
G	F	E	D	C	B	A	A⁺	A⁺⁺	A⁺⁺⁺
< 30 %	≥ 30 %	≥ 34 %	≥ 36 %	≥ 75 %	≥ 82 %	≥ 90 %	≥ 98 %	≥ 125 %	≥ 150 %

Boiler and supplementary heat pump installed with low temperature heat emitters at 35°C?

From fiche of heat pump ⑦ %

$$\text{ } + (50 \times \text{ }) = \text{ } \%$$

The energy efficiency of the package of products provided far in this fiche may not correspond to its actual energy efficiency once installed in a building, as the efficiency is influenced by further factors such as heat loss in the distribution system and the dimensioning of the products in relation to building size and characteristics.

Fig. 3-11

Facsimile for filling in domestic hot water production system assembly chart.

Water heating energy efficiency of combination heater

¹
 %

Solar contribution

From fiche of solar device

Auxiliary electricity

$$(1,1 \times 'I' - 10\%) \times 'II' - 'III' - 'I' =$$

²
 + %

Water heating energy efficiency of package under average climate

³
 %

Water heating energy efficiency class of package under average climate

	<input type="checkbox"/>	<input type="checkbox"/>	<input type="checkbox"/>	<input type="checkbox"/>	<input type="checkbox"/>	<input type="checkbox"/>	<input type="checkbox"/>	<input type="checkbox"/>	<input type="checkbox"/>	<input type="checkbox"/>
	G	F	E	D	C	B	A	A⁺	A⁺⁺	A⁺⁺⁺
<input type="checkbox"/> M	< 27 %	≥ 27 %	≥ 30 %	≥ 33 %	≥ 36 %	≥ 39 %	≥ 65 %	≥ 100 %	≥ 130 %	≥ 163 %
<input type="checkbox"/> L	< 27 %	≥ 27 %	≥ 30 %	≥ 34 %	≥ 37 %	≥ 50 %	≥ 75 %	≥ 115 %	≥ 150 %	≥ 188 %
<input type="checkbox"/> XL	< 27 %	≥ 27 %	≥ 30 %	≥ 35 %	≥ 38 %	≥ 55 %	≥ 80 %	≥ 123 %	≥ 160 %	≥ 200 %
<input type="checkbox"/> XXL	< 28 %	≥ 28 %	≥ 32 %	≥ 36 %	≥ 40 %	≥ 60 %	≥ 85 %	≥ 131 %	≥ 170 %	≥ 213 %

Water heating energy efficiency under colder and warmer climate conditions

Colder: ³ - 0.2 x ² = %

Warmer: ³ + 0.4 x ² = %

The energy efficiency of the package of products provided far in this fiche may not correspond to its actual energy efficiency once installed in a building, as the efficiency is influenced by further factors such as heat loss in the distribution system and the dimensioning of the products in relation to building size and characteristics.

Fig. 3-12

Parameters for filling in DHW package assembly chart.

Parameter	Hercules Condensing ABT 32 3 ErP
'I'	80
'II'	*
'III'	*

* to be determined according to Regulation 811/2013 and transient calculation methods as per Notice of the European Community no. 207/2014.

Fig. 3-13

Domestic hot water production system assembly chart.

Water heating energy efficiency of combination heater

%

Declared load profile:

Solar contribution
From fiche of solar device

Auxiliary electricity

$(1,1 \times \text{---} - 10\%) \times \text{---} - \text{---} =$

+ %

Water heating energy efficiency of package under average climate

%

Water heating energy efficiency class of package under average climate

	<input type="checkbox"/>	<input type="checkbox"/>	<input type="checkbox"/>	<input type="checkbox"/>	<input type="checkbox"/>	<input type="checkbox"/>	<input type="checkbox"/>	<input type="checkbox"/>	<input type="checkbox"/>	<input type="checkbox"/>
	G	F	E	D	C	B	A	A ⁺	A ⁺⁺	A ⁺⁺⁺
<input type="checkbox"/> M	< 27 %	≥ 27 %	≥ 30 %	≥ 33 %	≥ 36 %	≥ 39 %	≥ 65 %	≥ 100 %	≥ 130 %	≥ 163 %
<input type="checkbox"/> L	< 27 %	≥ 27 %	≥ 30 %	≥ 34 %	≥ 37 %	≥ 50 %	≥ 75 %	≥ 115 %	≥ 150 %	≥ 188 %
<input type="checkbox"/> XL	< 27 %	≥ 27 %	≥ 30 %	≥ 35 %	≥ 38 %	≥ 55 %	≥ 80 %	≥ 123 %	≥ 160 %	≥ 200 %
<input type="checkbox"/> XXL	< 28 %	≥ 28 %	≥ 32 %	≥ 36 %	≥ 40 %	≥ 60 %	≥ 85 %	≥ 131 %	≥ 170 %	≥ 213 %

Water heating energy efficiency under colder and warmer climate conditions

Colder: - 0.2 x = %

Warmer: + 0.4 x = %

The energy efficiency of the package of products provided far in this fiche may not correspond to its actual energy efficiency once installed in a building, as the efficiency is influenced by further factors such as heat loss in the distribution system and the dimensioning of the products in relation to building size and characteristics.

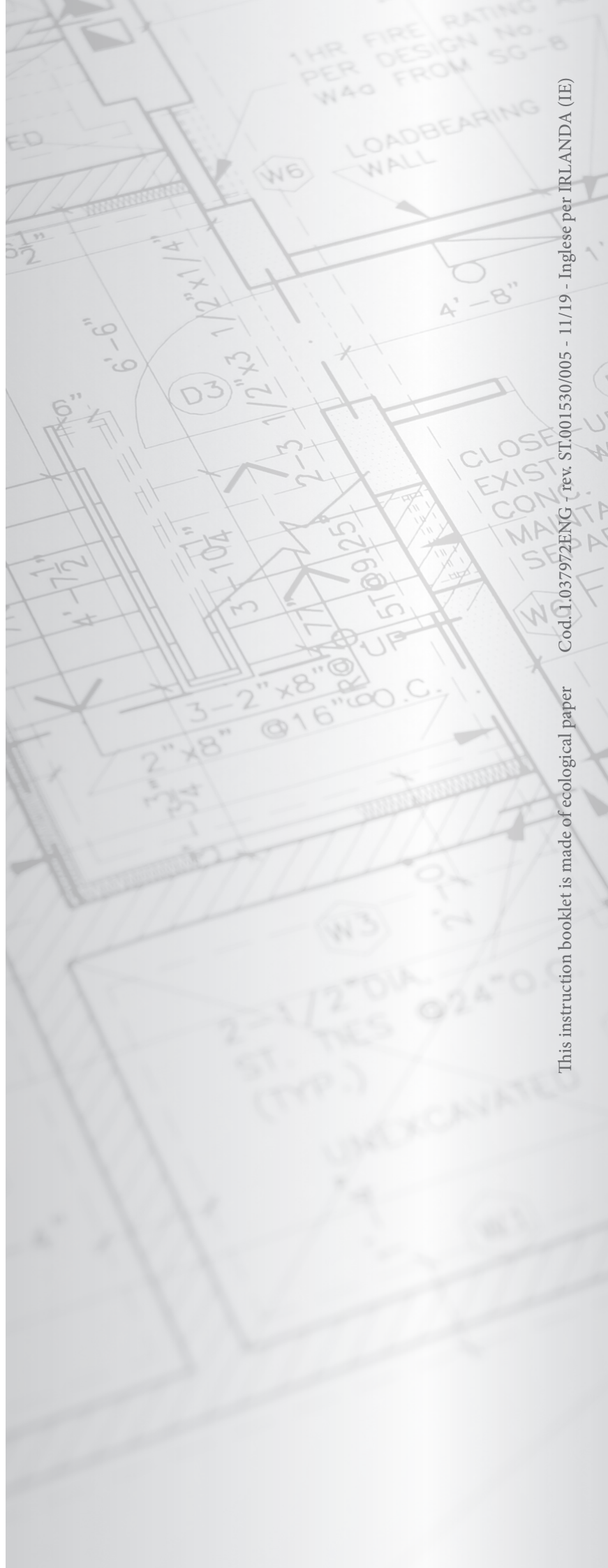
Fig. 3-14



immergas.com

Immergas S.p.A.
42041 Brescello (RE) - Italy
Tel. 0522.689011
Fax 0522.680617

Certified company ISO 9001



This instruction booklet is made of ecological paper

Cod. I.037972ENG - rev. ST.001530/005 - 11/19 - Inglese per IRLANDA (IE)